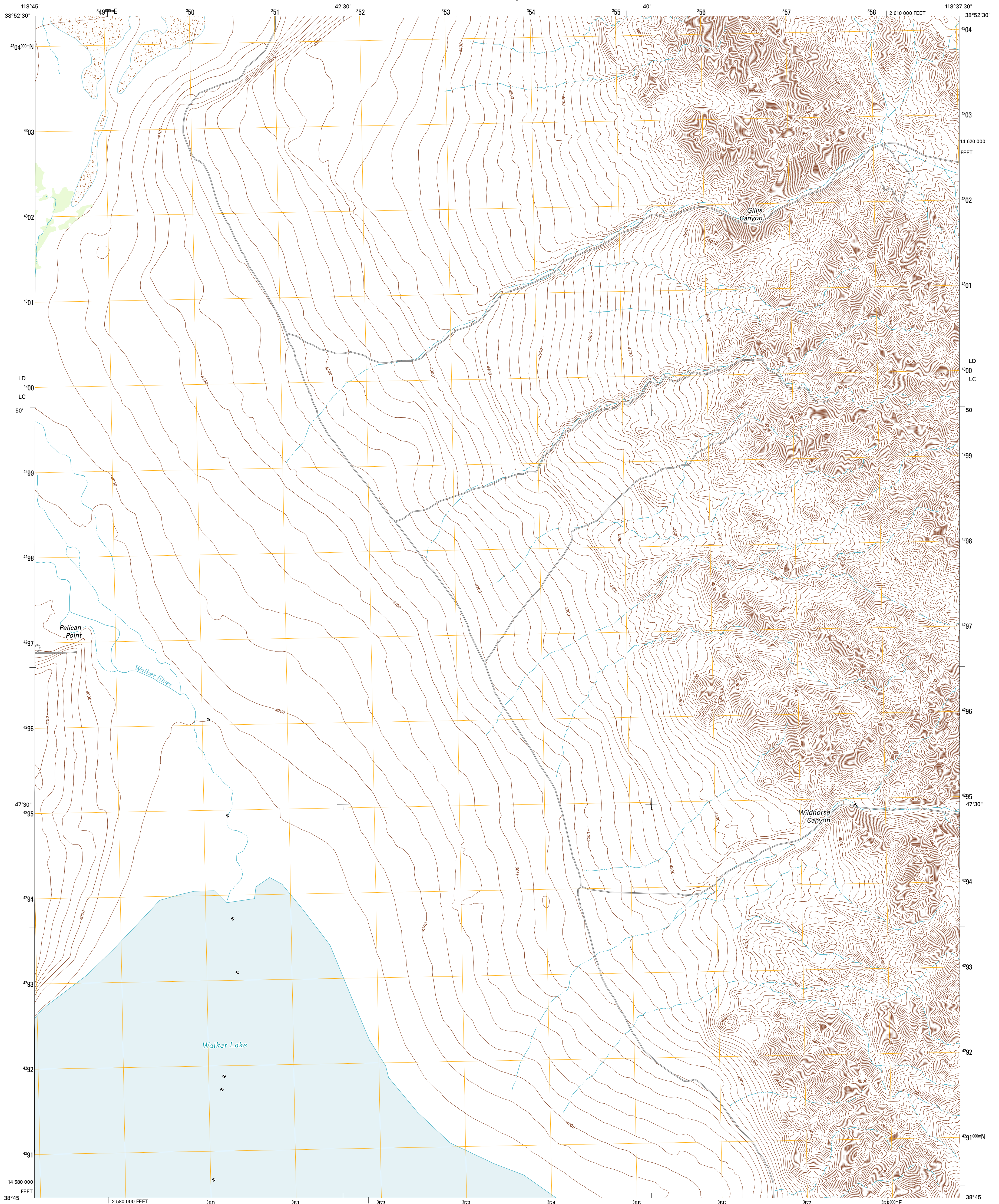




U.S. DEPARTMENT OF THE INTERIOR  
U. S. GEOLOGICAL SURVEY

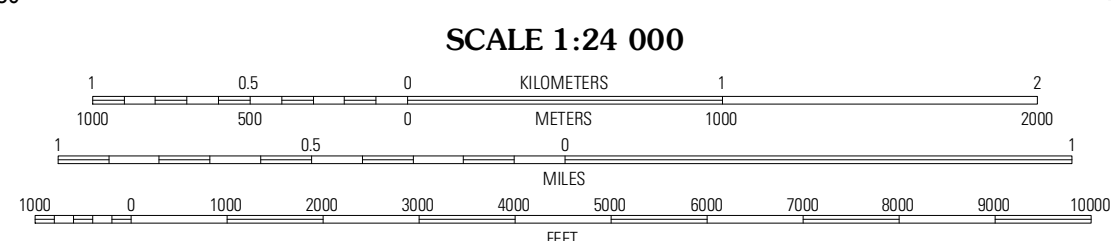
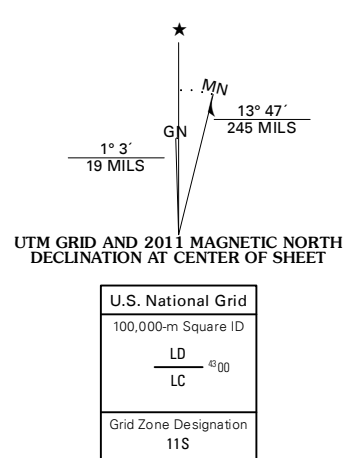


GILLIS CANYON QUADRANGLE  
NEVADA-MINERAL CO.  
7.5-MINUTE SERIES



Produced by the United States Geological Survey  
North American Datum of 1983 (NAD83)  
World Geodetic System of 1984 (WGS84). Projection and  
1 000-meter grid: Universal Transverse Mercator, Zone 11S  
10 000-foot ticks: Nevada Coordinate System of 1983 (west zone)

Imagery.....NAIP, June 2010  
Roads.....©2006-2011 TomTom  
Names.....GNIS, 2011  
Hydrography.....National Hydrography Dataset, 2010  
Contours.....National Elevation Dataset, 2011  
Boundaries.....Census, IBWC, IBC, USGS, 1972 - 2010



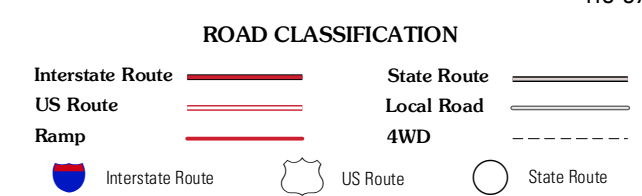
CONTOUR INTERVAL 20 FEET  
NORTH AMERICAN VERTICAL DATUM OF 1988

This map was produced to conform with the  
National Geospatial Program US Topo Product Standard, 2011.  
A metadata file associated with this product is draft version 0.6.1



QUADRANGLE LOCATION

Schurz Canyon	Gillis Canyon NW	Hu-Put Wash
Reese River Canyon	Gillis Canyon	Ghost Dance Ridge
Copper Canyon	Walker Lake	Ryan Canyon



GILLIS CANYON, NV  
2011

ADJOINING 7.5' QUADRANGLES