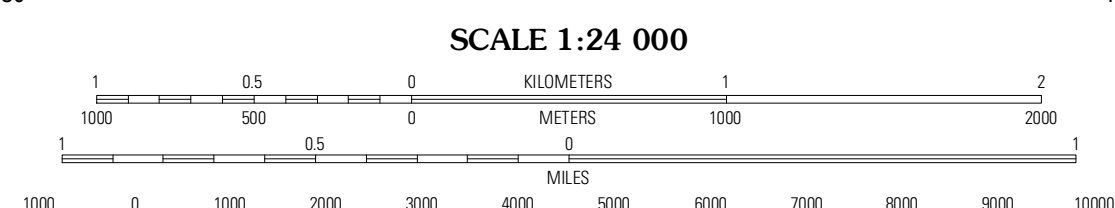
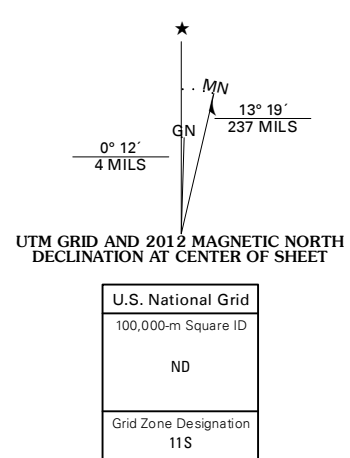


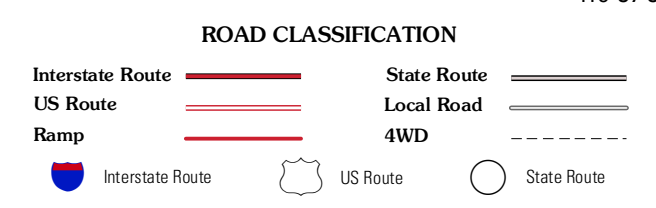
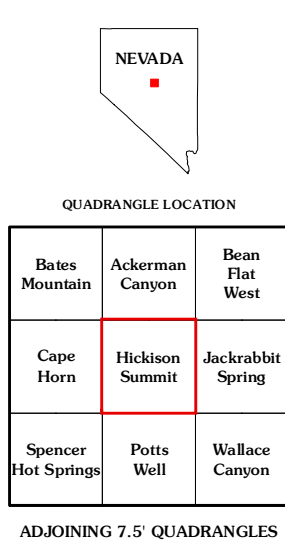
Produced by the United States Geological Survey  
North American Datum of 1983 (NAD83)  
World Geodetic System of 1984 (WGS84) Projection and  
1 000-meter grid: Universal Transverse Mercator, Zone 11S  
10 000-foot ticks: Nevada Coordinate System of 1983  
(central zone)

Imagery.....NAIP, June 2010  
Roads.....©2006-2011 TomTom  
Names.....GNIS, 2011  
Hydrography.....National Hydrography Dataset, 2010  
Contours.....National Elevation Dataset, 2004  
Boundaries.....Census, IBWC, IBC, USGS, 1972-2010



CONTOUR INTERVAL 40 FEET  
NORTH AMERICAN VERTICAL DATUM OF 1988

This map was produced to conform with the  
National Geospatial Program US Topo Product Standard, 2011.  
A metadata file associated with this product is draft version 0.6.1



**HICKISON SUMMIT, NV**  
2012