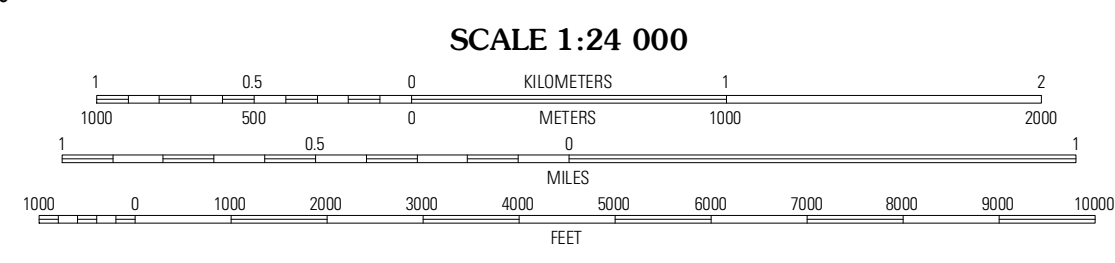
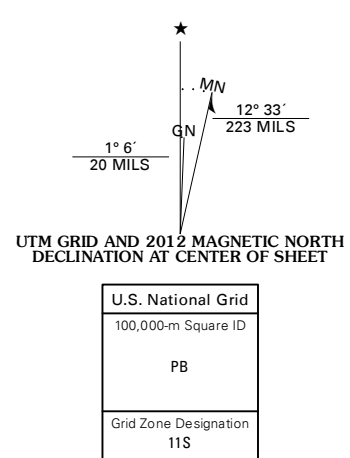


Produced by the United States Geological Survey
North American Datum of 1983 (NAD83)
World Geodetic System of 1984 (WGS84), Projection and
1 000-meter grid; Universal Transverse Mercator, Zone 11S
10 000-foot ticks; Nevada Coordinate System of 1983 (east
zone)

Imagery.....N.A.P., July 2010
Roads.....©2006-2011 TomTom
Names.....GNIS, 2011
Hydrography.....National Hydrography Dataset, 2010
Contours.....National Elevation Dataset, 2004
Boundaries.....Census, IBWC, IBC, USGS, 1972 - 2010



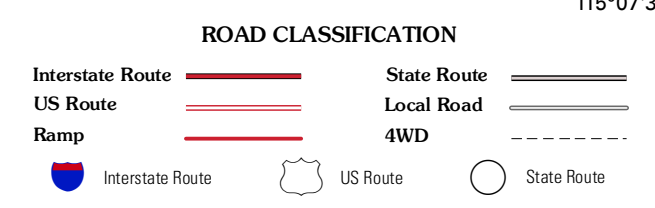
SCALE INTERVAL 20 FEET
NORTH AMERICAN VERTICAL DATUM OF 1988

This map was produced to conform with the
National Geospatial Program US Topo Product Standard, 2011.
A metadata file associated with this product is draft version 0.6.1



QUADRANGLE LOCATION

Mail Summit	Fossil Peak	Hiko NE
Mount Irish SE	Hiko	Hiko SE
Hancock Summit	Ash Springs	Alamo NE



HIKO, NV
2012

ADJOINING 7.5 QUADRANGLES