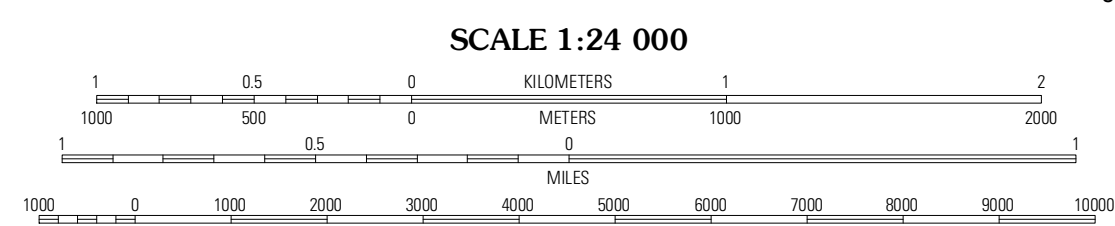
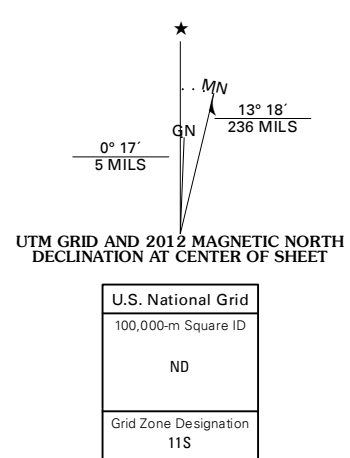


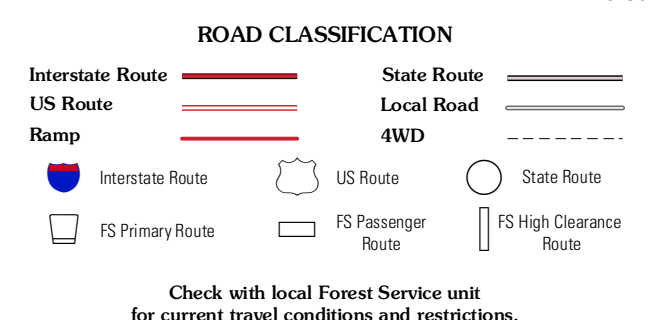
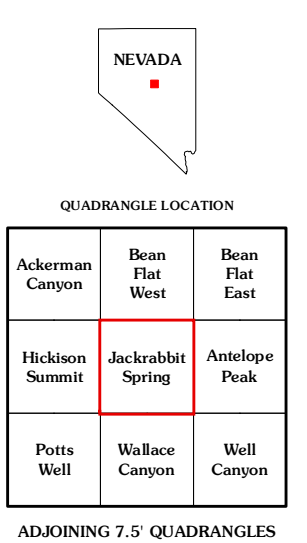
Produced by the United States Geological Survey
North American Datum of 1983 (NAD83)
World Geodetic System of 1984 (WGS84) Projection and
1 000-meter grid; Universal Transverse Mercator, Zone 11S
10 000-foot ticks; Nevada Coordinate System of 1983 (east
and central zones)

Imagery: NAIP, June 2010
Roads: ©2006-2011 TomTom
Roads within US Forest Service Lands: ©2006-2011
with limited Forest Service updates, 2009
Names: ©2006-2011
Hydrography: National Hydrography Dataset, 2010
Contours: National Elevation Dataset, 2004
Boundaries: Census, IBWC, IBC, USGS, 1972 - 2010



CONTOUR INTERVAL 40 FEET
NORTH AMERICAN VERTICAL DATUM OF 1988

This map was produced to conform with the
National Geospatial Program US Topo Product Standard, 2011.
A metadata file associated with this product is draft version 0.6.1



JACKRABBIT SPRING, NV
2012

ADJOINING 7.5' QUADRANGLES