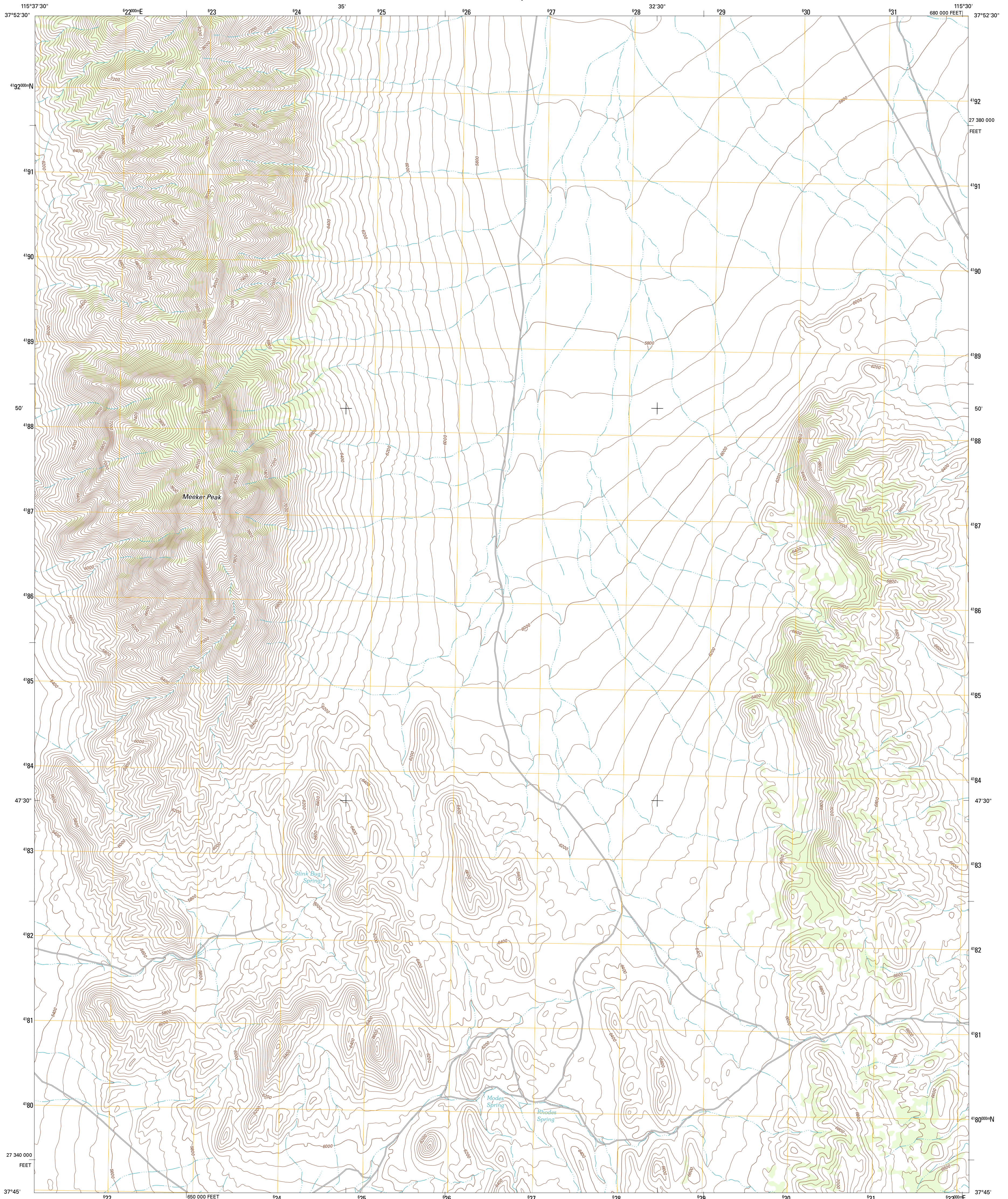




U.S. DEPARTMENT OF THE INTERIOR
U. S. GEOLOGICAL SURVEY

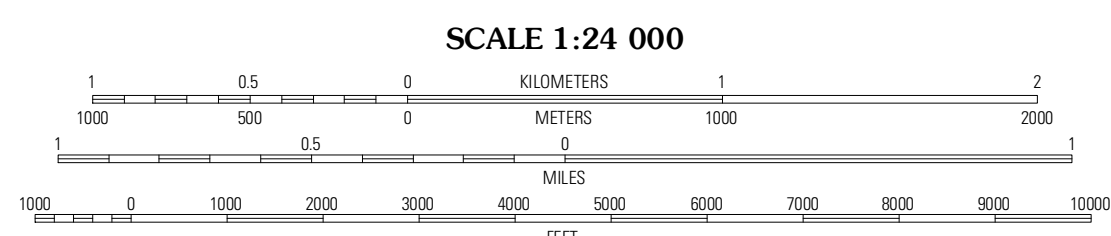
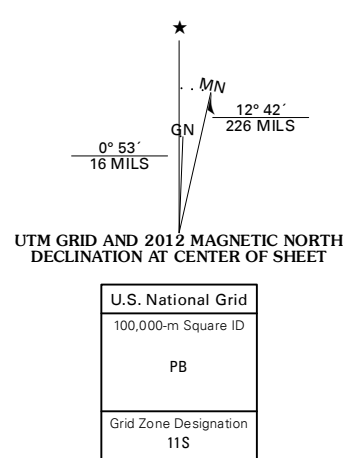


MEEKER PEAK QUADRANGLE
NEVADA-LINCOLN CO.
7.5-MINUTE SERIES

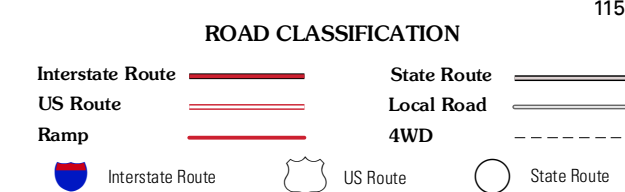
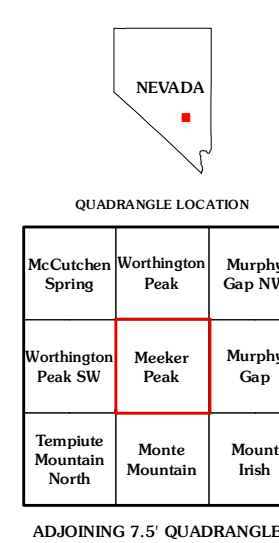


Produced by the United States Geological Survey
North American Datum of 1983 (NAD83)
World Geodetic System of 1984 (WGS84). Projection and
1 000-meter grid: Universal Transverse Mercator, Zone 11S
10 000-foot ticks: Nevada Coordinate System of 1983 (east zone)

Imagery: N.A.P., July 2010
Roads: ©2006-2011 TomTom
Names: GNS, 2011
Hydrography: National Hydrography Dataset, 2010
Contours: National Elevation Dataset, 2004
Boundaries: Census, IBWC, IBC, USGS, 1972 - 2010



CONTOUR INTERVAL 40 FEET
NORTH AMERICAN VERTICAL DATUM OF 1988
This map was produced to conform with the
National Geospatial Program US Topo Product Standard, 2011.
A metadata file associated with this product is draft version 0.6.1



MEEKER PEAK, NV
2012