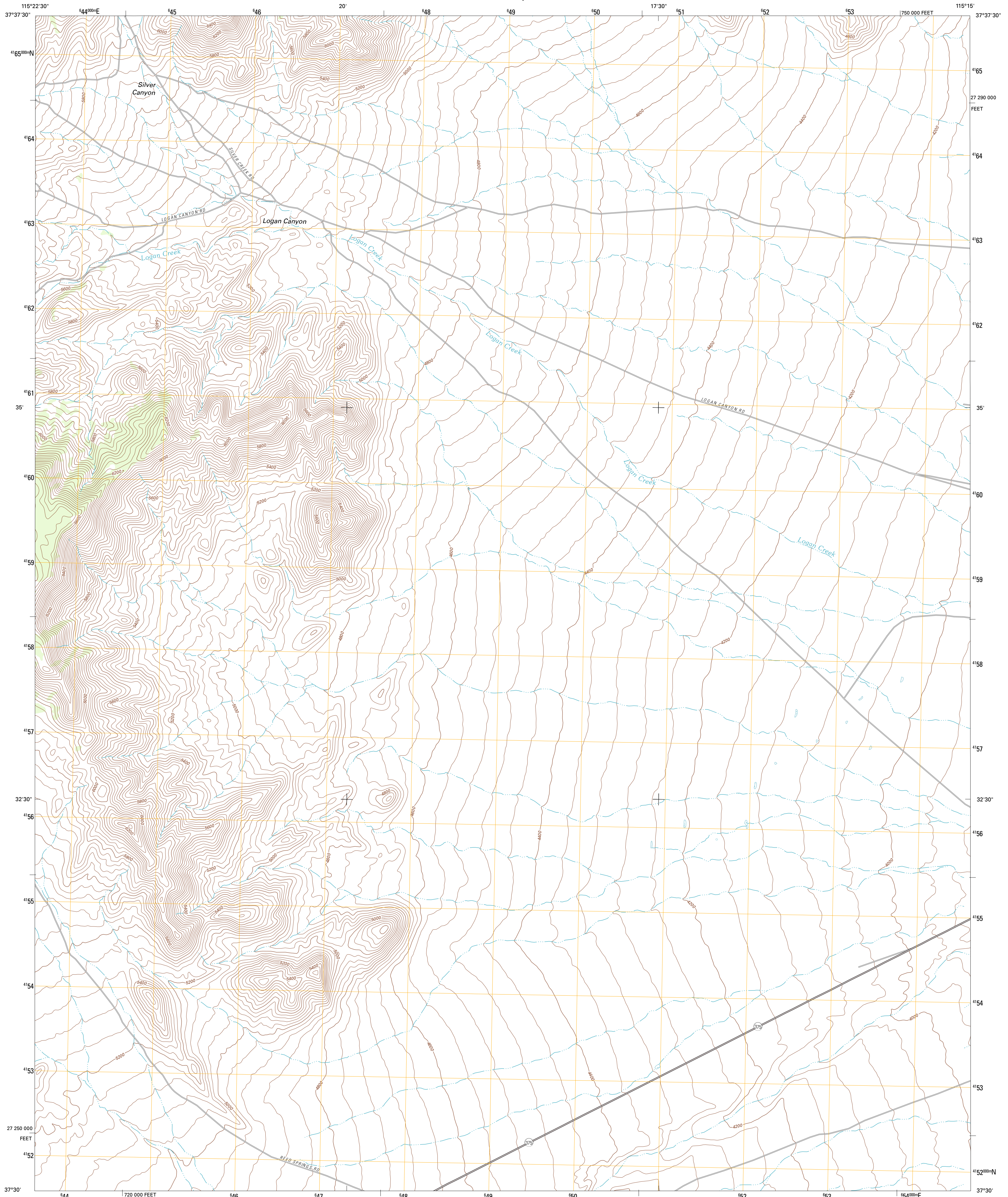




U.S. DEPARTMENT OF THE INTERIOR
U. S. GEOLOGICAL SURVEY

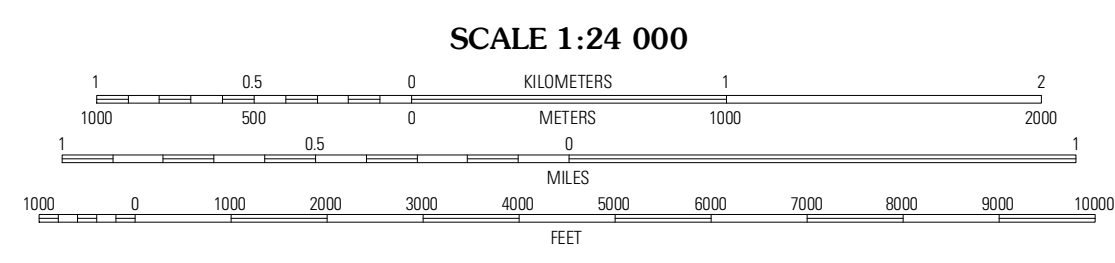
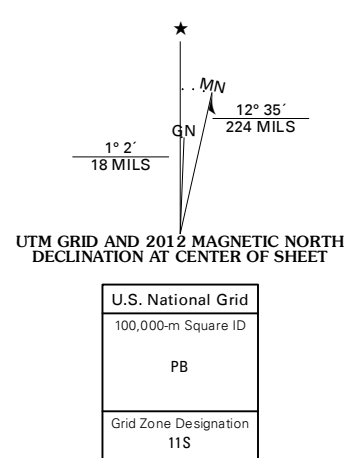


MOUNT IRISH SE QUADRANGLE
NEVADA-LINCOLN CO.
7.5-MINUTE SERIES



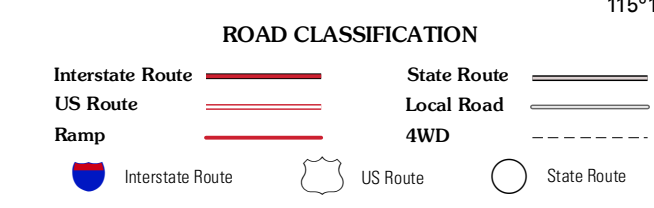
Produced by the United States Geological Survey
North American Datum of 1983 (NAD83)
World Geodetic System of 1984 (WGS84), Projection and
1 000-meter grid; Universal Transverse Mercator, Zone 11S
10 000-foot ticks; Nevada Coordinate System of 1983 (east
zone)

Imagery.....NAP, July 2010
Roads.....©2006-2011 TomTom
Names.....GNIS, 2011
Hydrography.....National Hydrography Dataset, 2010
Contours.....National Elevation Dataset, 2004
Boundaries.....Census, IBWC, IBC, USGS, 1972 - 2010



CONTOUR INTERVAL 40 FEET
NORTH AMERICAN VERTICAL DATUM OF 1988

This map was produced to conform with the
National Geospatial Program US Topo Product Standard, 2011.
A metadata file associated with this product is draft version 0.6.1



QUADRANGLE LOCATION

Mount Irish	Mail Summit	Fossil Peak
Crescent Spring	Mount Irish SE	Hiko
Crescent Reservoir	Hancock Summit	Ash Springs

ADJOINING 7.5' QUADRANGLES

MOUNT IRISH SE, NV
2012