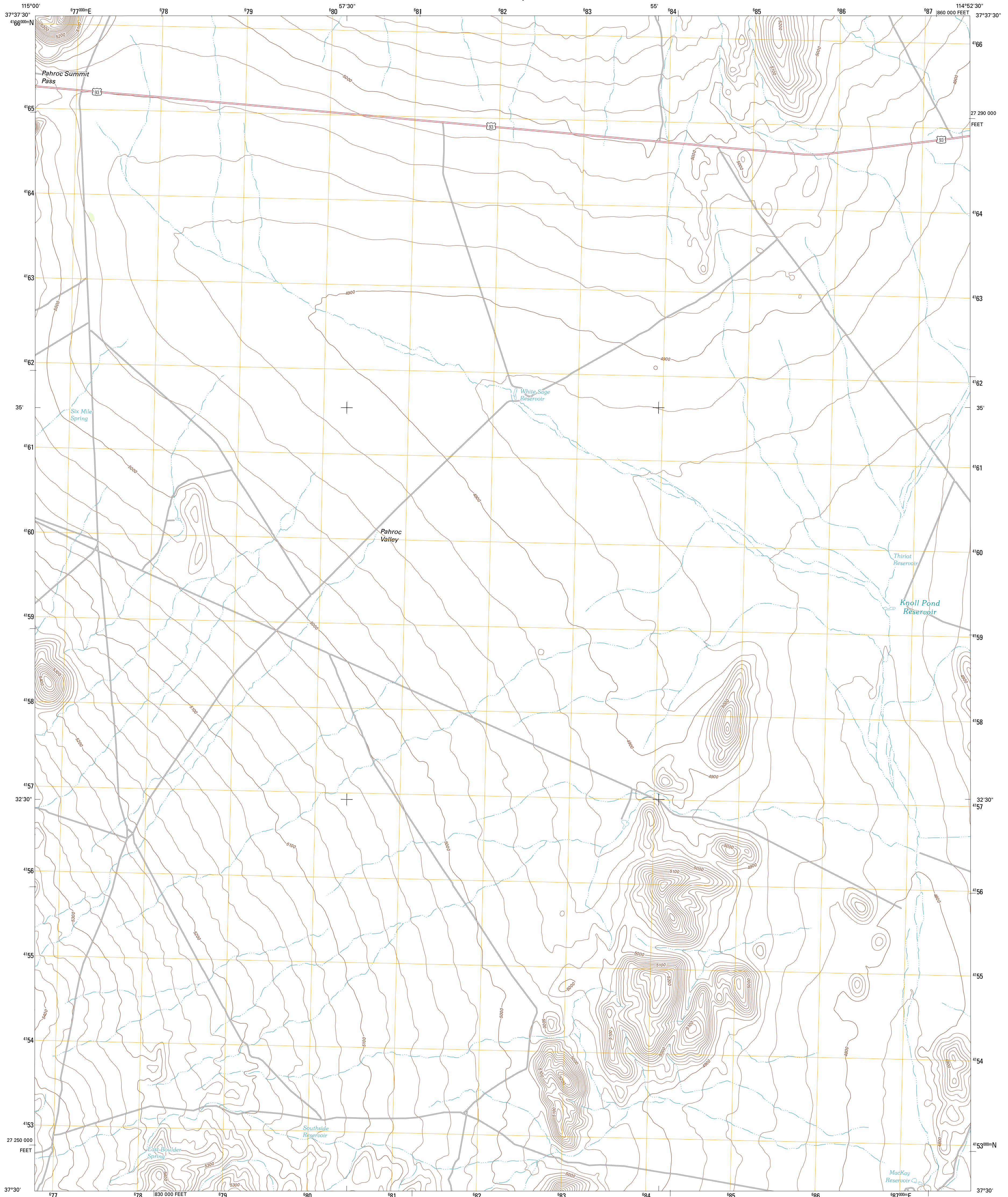




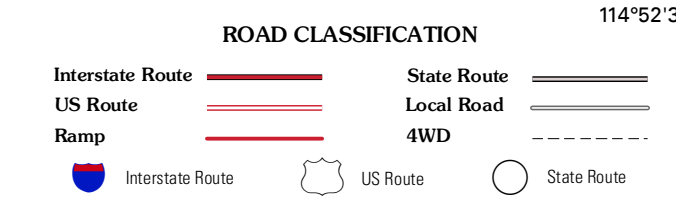
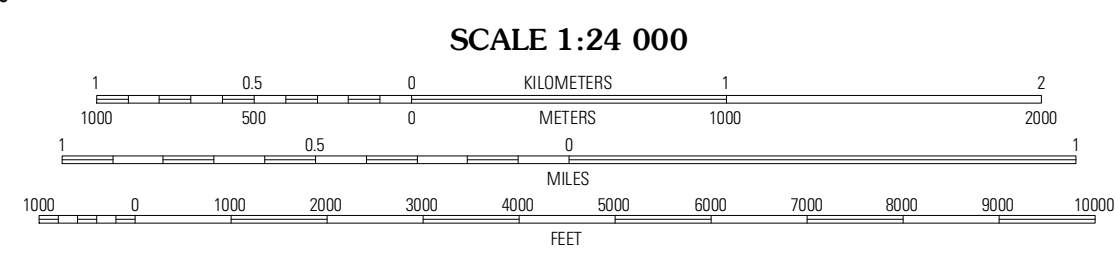
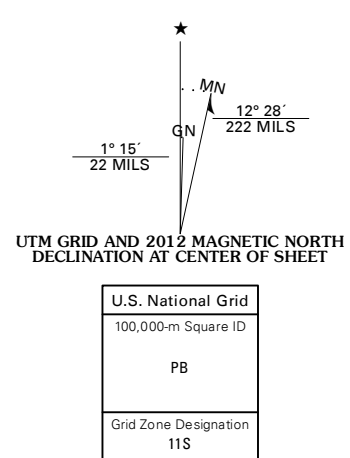
U.S. DEPARTMENT OF THE INTERIOR
U. S. GEOLOGICAL SURVEY



PAHROC SUMMIT PASS QUADRANGLE
NEVADA-LINCOLN CO.
7.5-MINUTE SERIES



Produced by the United States Geological Survey
North American Datum of 1983 (NAD83)
World Geodetic System of 1984 (WGS84). Projection and
1 000-meter grid: Universal Transverse Mercator, Zone 11S
10 000-foot ticks: Nevada Coordinate System of 1983 (east
zone)



QUADRANGLE LOCATION

Hiko NE	Pahroc Spring	Pahroc Spring NE
Hiko SE	Pahroc Summit Pass	Pahroc Spring SE
Alamo NE	Delamar NW	Delamar

ADJOINING 7.5' QUADRANGLES

CONTOUR INTERVAL 20 FEET
NORTH AMERICAN VERTICAL DATUM OF 1988

This map was produced to conform with the
National Geospatial Program US Topo Product Standard, 2011.
A metadata file associated with this product is draft version 0.6.1

PAHROC SUMMIT PASS, NV
2012