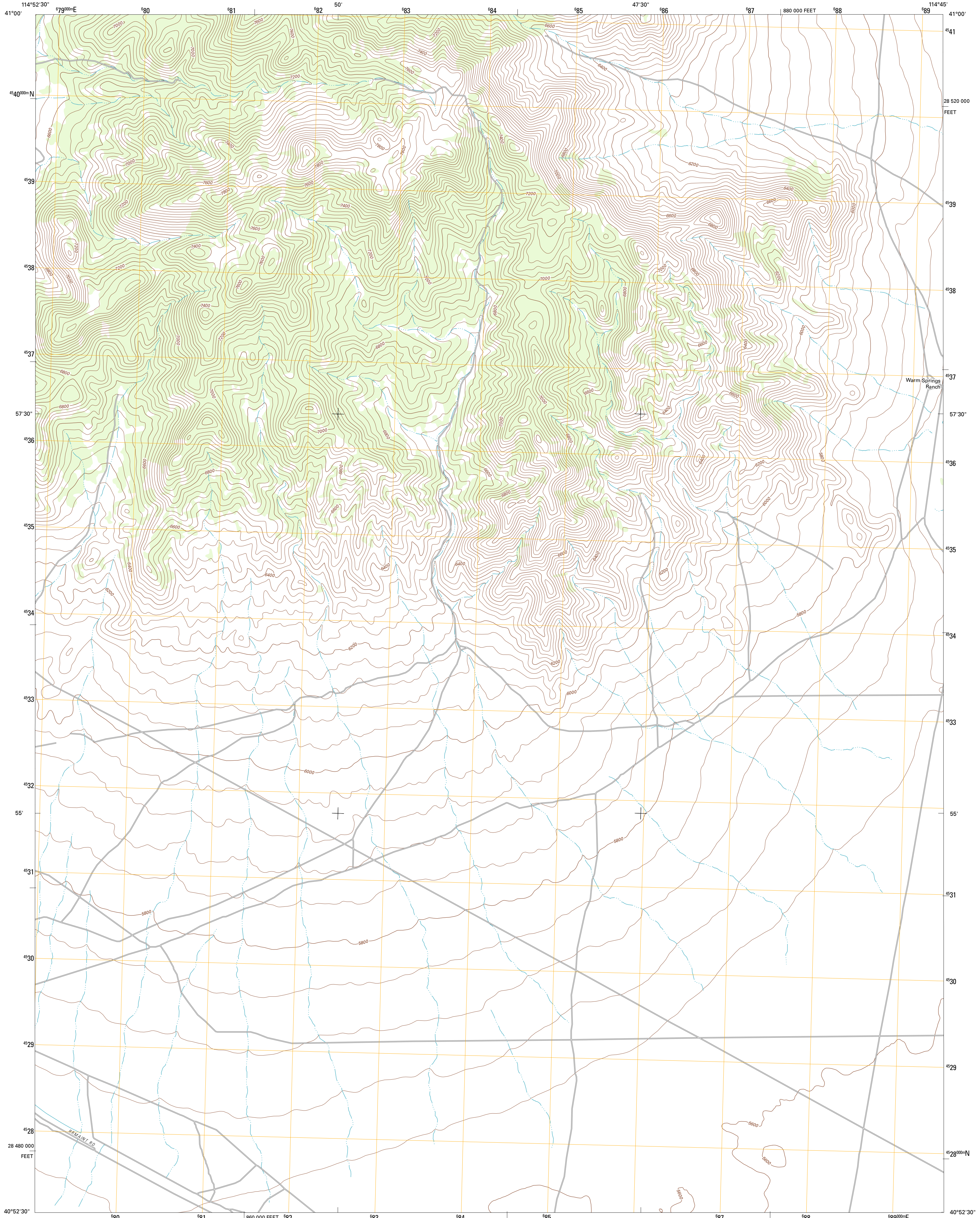




U.S. DEPARTMENT OF THE INTERIOR  
U. S. GEOLOGICAL SURVEY

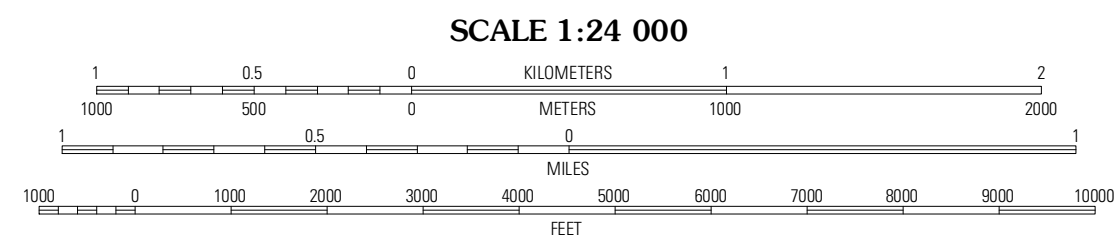
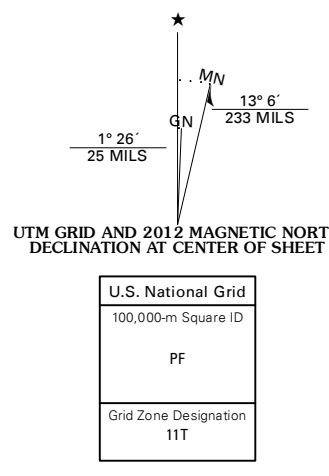


SNOW WATER LAKE NE QUADRANGLE  
NEVADA-ELKO CO.  
7.5-MINUTE SERIES



Produced by the United States Geological Survey  
North American Datum of 1983 (NAD83)  
World Geodetic System of 1984 (WGS84). Projection and  
1 000-meter grid: Universal Transverse Mercator, Zone 11T  
10 000-foot ticks: Nevada Coordinate System of 1983 (east zone)

Imagery.....NAIP, July 2010  
Roads.....©2006-2011 TomTom  
Names.....GNIS, 2011  
Hydrography.....National Hydrography Dataset, 2010  
Contours.....National Elevation Dataset, 2002  
Boundaries.....Census, IBWC, IBC, USGS, 1972 - 2010



CONTOUR INTERVAL 40 FEET  
NORTH AMERICAN VERTICAL DATUM OF 1988  
This map was produced to conform with the  
National Geospatial Program US Topo Product Standard, 2011.  
A metadata file associated with this product is draft version 0.6.1



QUADRANGLE LOCATION

Wells	Moore Summit	Peopop Summit SW
Tobar	Snow Water-Independence Lake NE	Independence Valley NW
Snow Water Lake	Vintona	Independence Valley SW

ADJOINING 7.5' QUADRANGLES

ROAD CLASSIFICATION

Interstate Route	State Route
US Route	Local Road
Ramp	4WD

Interstate Route   
 US Route   
 State Route

SNOW WATER LAKE NE, NV  
2012