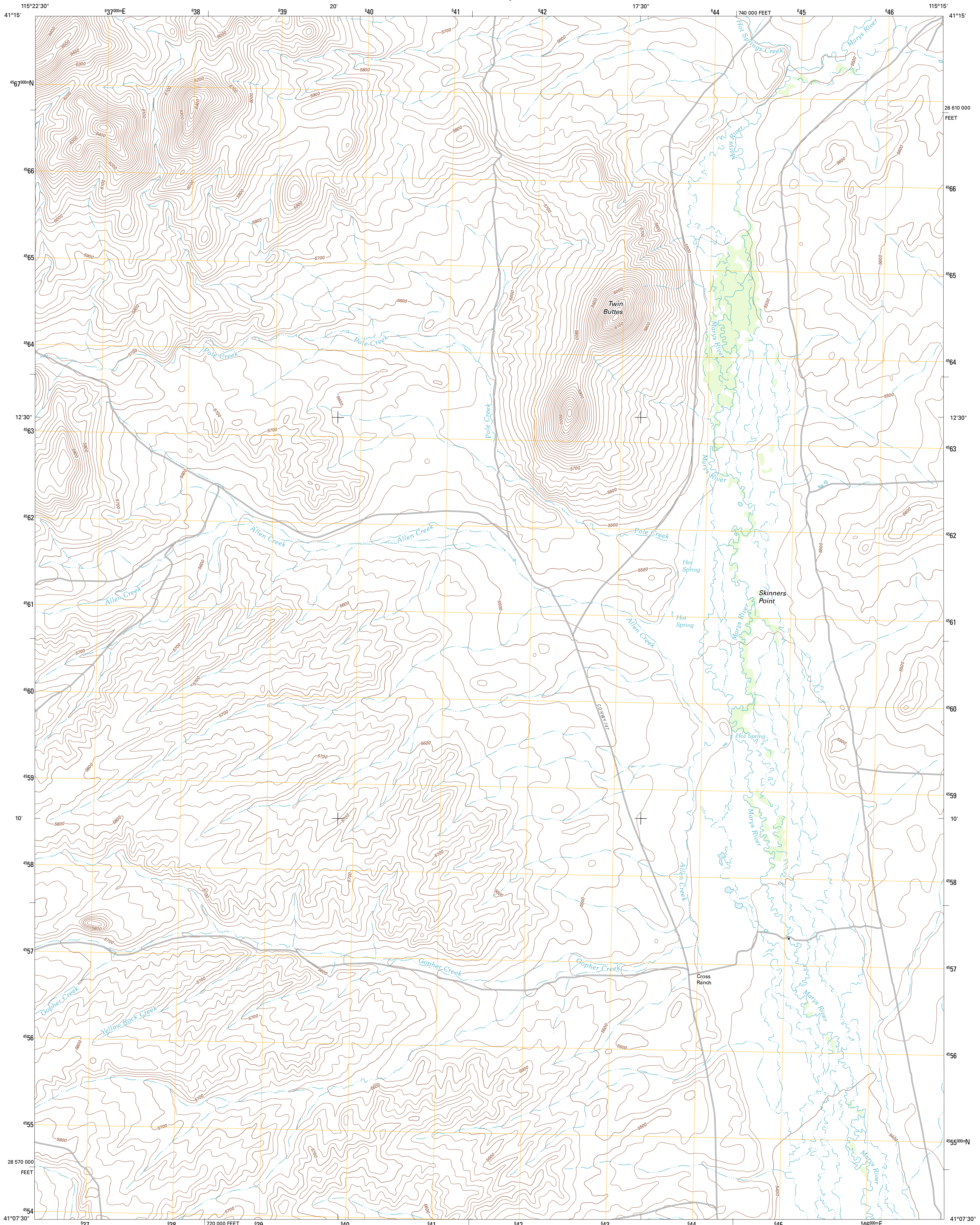




U.S. DEPARTMENT OF THE INTERIOR
U. S. GEOLOGICAL SURVEY

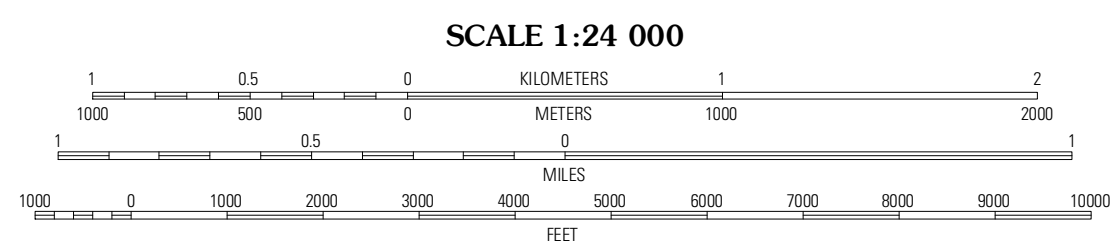
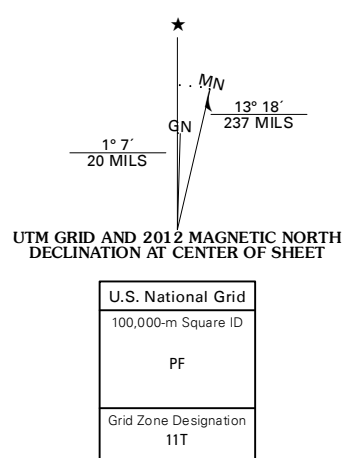


TWIN BUTTES QUADRANGLE
NEVADA-ELKO CO.
7.5-MINUTE SERIES

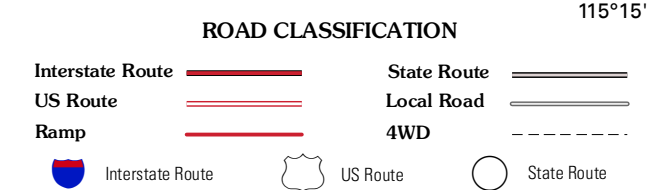
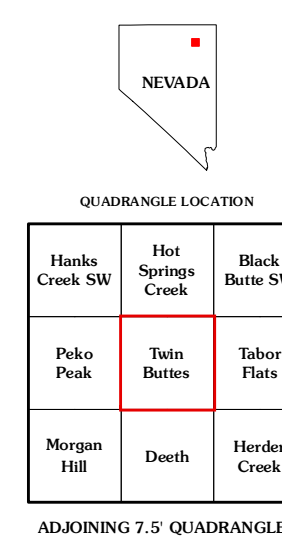


Produced by the United States Geological Survey
North American Datum of 1983 (NAD83)
World Geodetic System of 1984 (WGS84). Projection and
1 000-meter grid: Universal Transverse Mercator, Zone 11T
10 000-foot ticks: Nevada Coordinate System of 1983 (east zone)

Imagery.....NAIP, July 2010
Roads.....©2006-2011 TomTom
Names.....GNIS, 2011
Hydrography.....National Hydrography Dataset, 2010
Contours.....National Elevation Dataset, 1999
Boundaries.....Census, IBWC, IBC, USGS, 1972 - 2010



SCALE 1:24 000
CONTOUR INTERVAL 20 FEET
NORTH AMERICAN VERTICAL DATUM OF 1988
This map was produced to conform with the
National Geospatial Program US Topo Product Standard, 2011.
A metadata file associated with this product is draft version 0.6.1



QUADRANGLE LOCATION

Hanks Creek SW	Hot Springs Creek	Black Butte SW
Peko Peak	Twin Buttes	Taber Flats
Morgan Hill	Death	Herder Creek

TWIN BUTTES, NV
2012

ADJOINING 7.5 QUADRANGLES