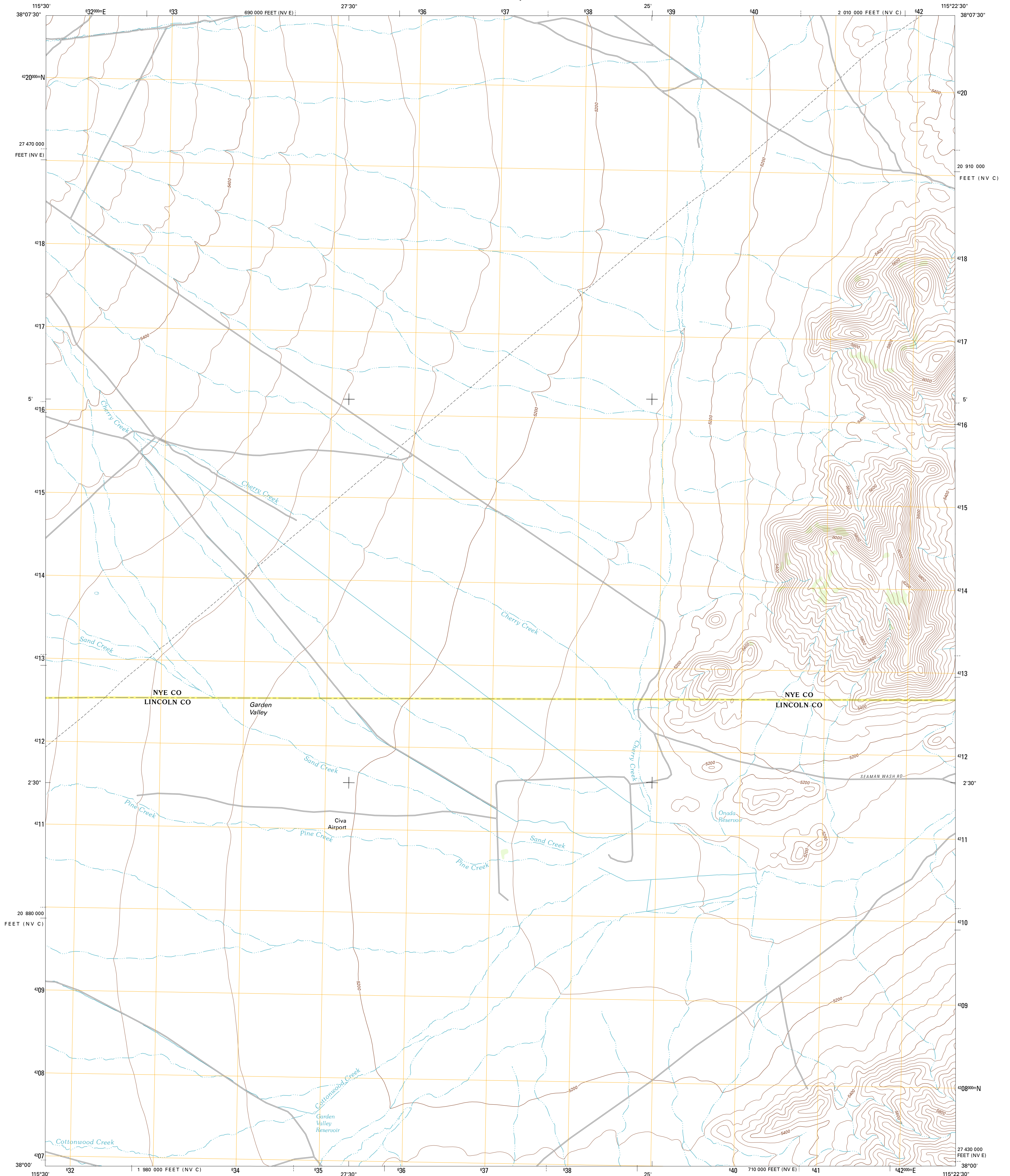




U.S. DEPARTMENT OF THE INTERIOR
U. S. GEOLOGICAL SURVEY

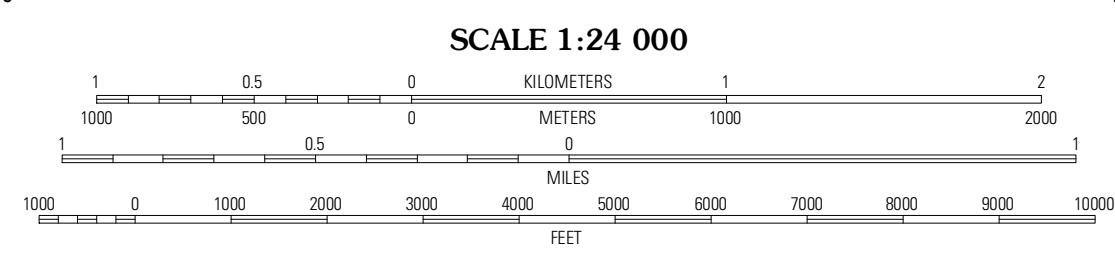
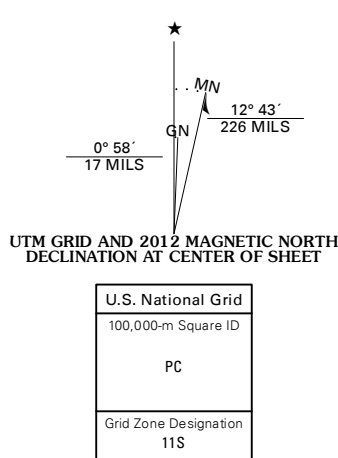


WATER GAP WEST QUADRANGLE
NEVADA
7.5-MINUTE SERIES



Produced by the United States Geological Survey
North American Datum of 1983 (NAD83)
World Geodetic System of 1984 (WGS84) Projection and
1 000-meter grid: Universal Transverse Mercator, Zone 11S
10 000-foot ticks: Nevada Coordinate System of 1983
(central and east zones)

Imagery.....NAP, July 2010
Roads.....©2006-2011 TomTom
Names.....GNIS, 2011
Hydrography.....National Hydrography Dataset, 2010
Contours.....National Elevation Dataset, 2004
Boundaries.....Census, IBWC, IBC, USGS, 1972-2010



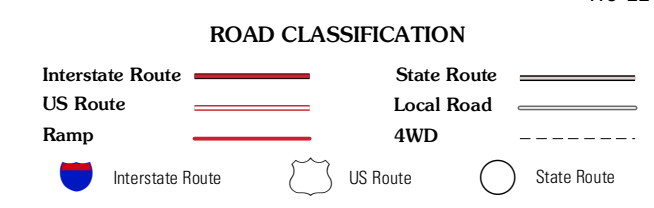
CONTOUR INTERVAL 40 FEET
NORTH AMERICAN VERTICAL DATUM OF 1988

This map was produced to conform with the National Geospatial Program US Topo Product Standard, 2011. A metadata file associated with this product is draft version 0.6.1



Adaven	Water Gap NW	Water Gap NE
Wadsworth Ranch	Water Gap West	Water Gap East
Worthington Peak	Murphy Gap NW	Coal Valley Reservoir

ADJOINING 7.5 QUADRANGLES



WATER GAP WEST, NV
2012