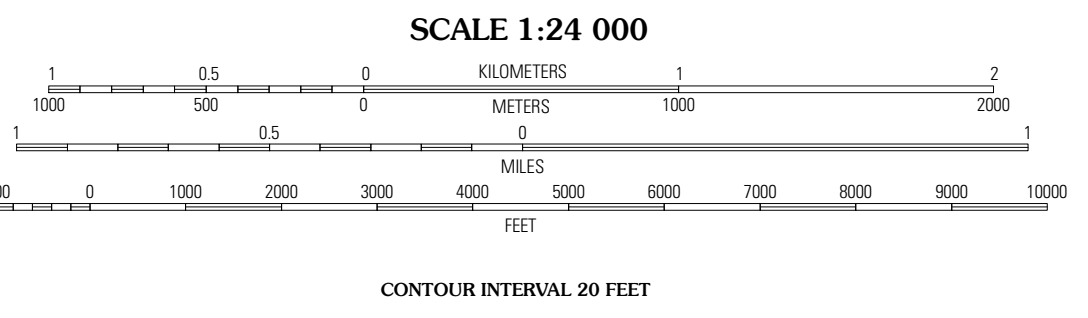
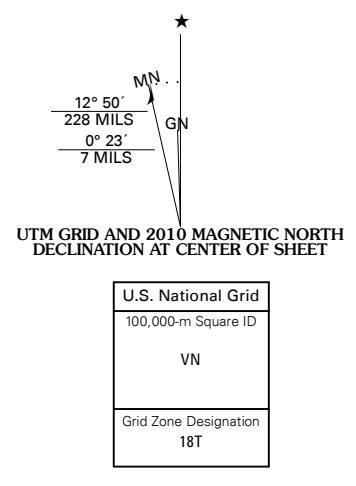


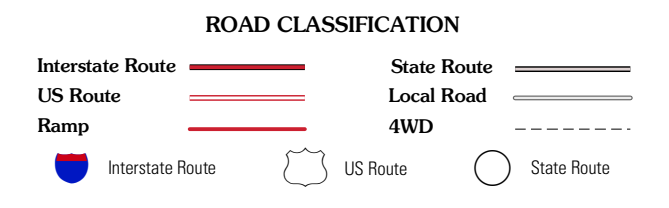
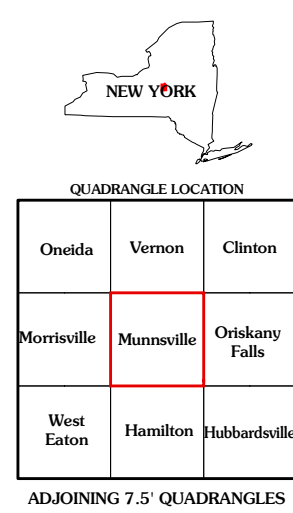


Produced by the United States Geological Survey
North American Datum of 1983 (NAD83)
World Geodetic System of 1984 (WGS84). Projection and
1 000-meter grid: Universal Transverse Mercator, Zone 18T
10 000-foot ticks: New York Coordinate System of 1983
(central zone)

Imagery: NAIP, September 2008
Roads: US Census Bureau TIGER data
with limited USGS updates, 2006
Names: GNIS, 2008
Hydrography: National Hydrography Dataset, 2008
Contours: National Elevation Dataset, 1998



This map was produced to conform with version 0.5.10 of the
draft USGS Standards for 7.5-Minute Quadrangle Maps.
A metadata file associated with this product is also draft version 0.5.10



MUNNSVILLE, NY
2010