

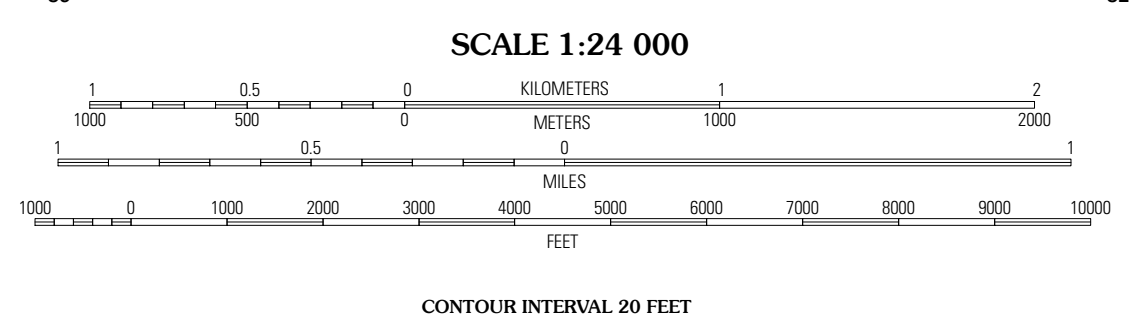


Produced by the United States Geological Survey
North American Datum of 1983 (NAD83)
World Geodetic System of 1984 (WGS84). Projection and
1 000-meter grid: Universal Transverse Mercator, Zone 18T
10 000-foot ticks: New York Coordinate System of 1983
(central zone)

Imagery.....NAIP, July 2006
Roads.....US Census Bureau TIGER data
with limited USGS updates, 2007
Names.....GNIS, 2008
Hydrography.....National Hydrography Dataset, 2006
Contours.....National Elevation Dataset, 1998

UTM GRID AND 2010 MAGNETIC NORTH
DECLINATION AT CENTER OF SHEET

U.S. National Grid
100,000-m Square ID
VP
Grid Zone Designation
18T



ROAD CLASSIFICATION

Interstate Route	State Route
US Route	Local Road
Ramp	4WD

Interstate Route
 US Route
 State Route

QUADRANGLE LOCATION

New Boston	West Lowville	Lowville
Sears Pond	Page	Glenfield
North Oseola	High Market	Constableville

ADJOINING 7.5' QUADRANGLES

This map was produced to conform with version 0.5.10 of the
draft USGS Standards for 7.5-Minute Quadrangle Maps.
A metadata file associated with this product is also draft version 0.5.10