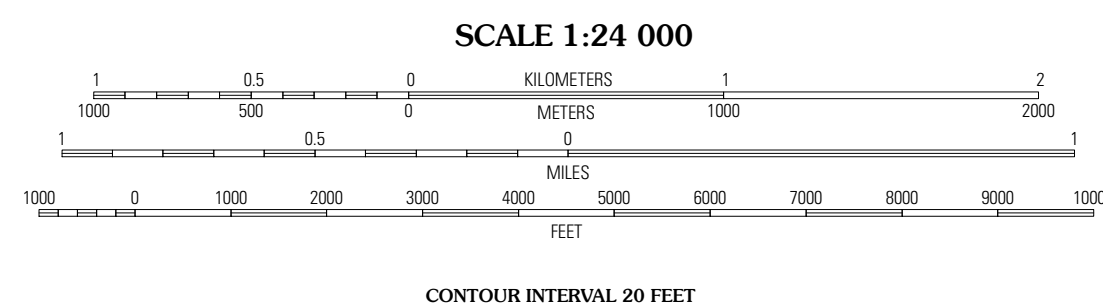
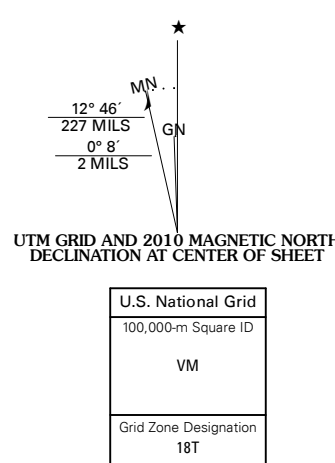




Produced by the United States Geological Survey
North American Datum of 1983 (NAD83)
World Geodetic System of 1984 (WGS84). Projection and
1 000-meter grid: Universal Transverse Mercator, Zone 18T
10 000-foot ticks: New York Coordinate System of 1983
(east zone)

Imagery:.....NAP, May 2008
Roads:.....US Census Bureau TIGER data
with limited USGS updates, 2006
Names:.....GNIS, 2008
Hydrography:.....National Hydrography Dataset, 2008
Contours:.....National Elevation Dataset, 1999



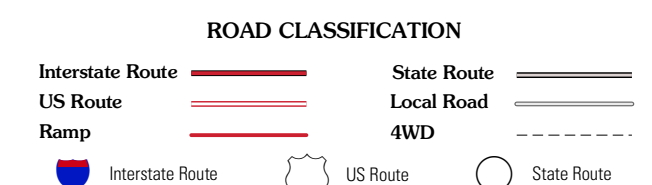
This map was produced to conform with version 0.5.10 of the
draft USGS Standards for 7.5-Minute Quadrangle Maps.
A metadata file associated with this product is also draft version 0.5.10



QUADRANGLE LOCATION

Trout Creek	Walton West	Walton East
Cannonsville Reservoir	Readburn	Corbett
Hancock	Fish Eddy	Horton

ADJOINING 7.5 QUADRANGLES



READBURN, NY
2010