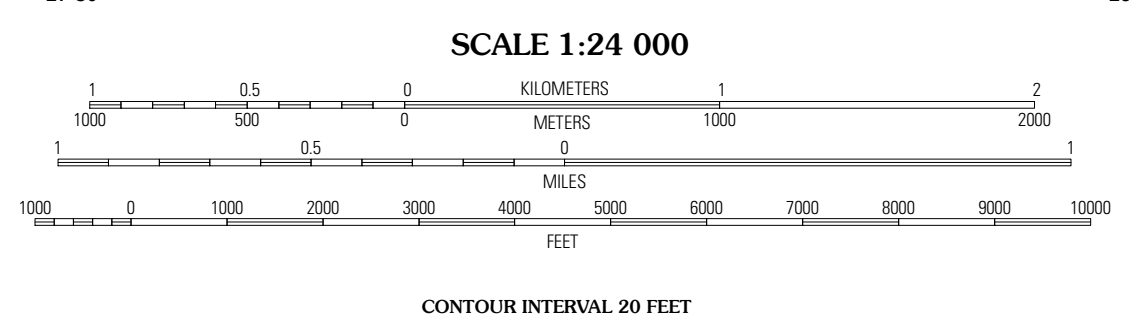
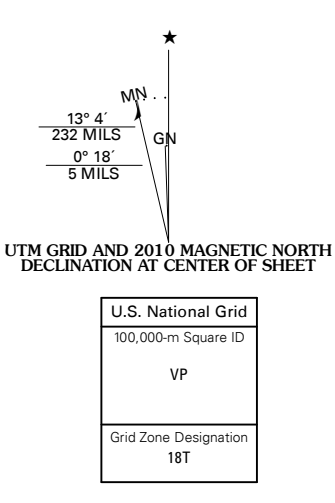




Produced by the United States Geological Survey
North American Datum of 1983 (NAD83)
World Geodetic System of 1984 (WGS84). Projection and
1 000-meter grid: Universal Transverse Mercator, Zone 18T
10 000-foot ticks: New York Coordinate System of 1983
(central zone)

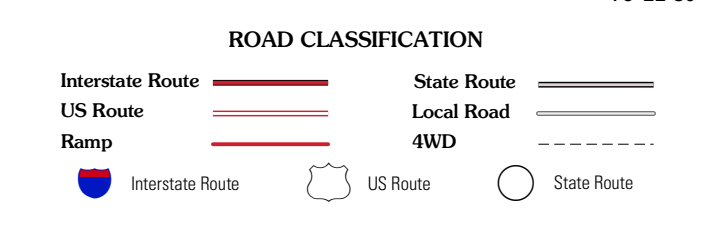
Imagery.....N.A.P. July 2006 - September 2008
Roads.....US Census Bureau TIGER data
with limited USGS updates, 2006 - 2007
Names.....GNIS, 2008
Hydrography.....National Hydrography Dataset, 2006
Contours.....National Elevation Dataset, 1998



QUADRANGLE LOCATION

High Market	Constableville	Port Leyden
Point Rock	West Leyden	Boomville
Lee Center	Westernville	North Western

ADJOINING 7.5' QUADRANGLES



CONTOUR INTERVAL 20 FEET

This map was produced to conform with version 0.5.10 of the
draft USGS Standards for 7.5-Minute Quadrangle Maps.
A metadata file associated with this product is also draft version 0.5.10

WEST LEYDEN, NY
2010