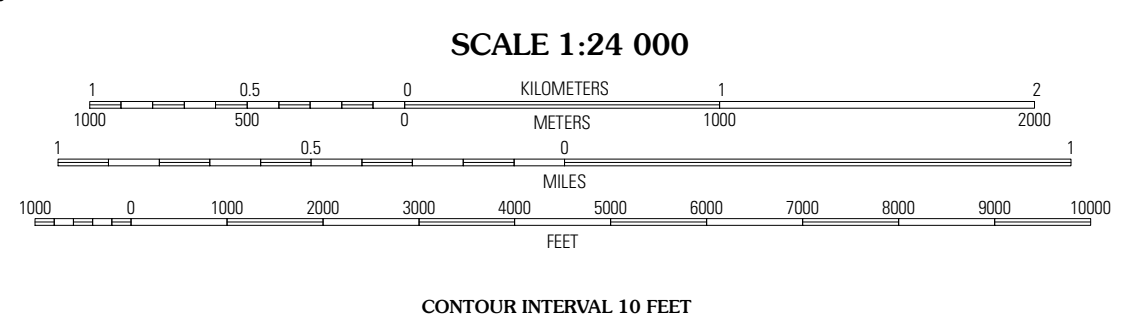
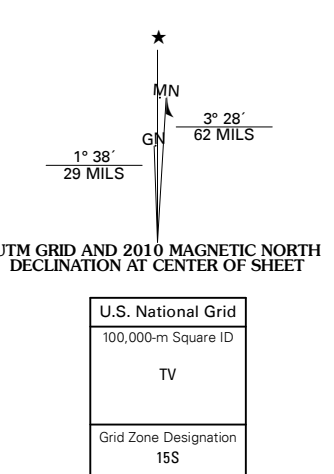


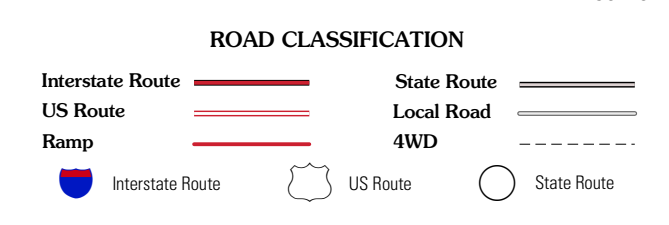
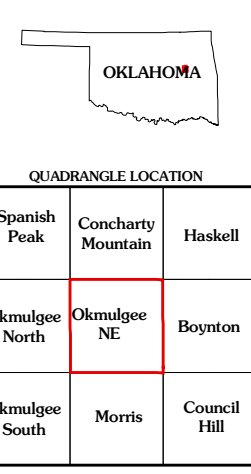


Produced by the United States Geological Survey
North American Datum of 1983 (NAD83)
World Geodetic System of 1984 (WGS84). Projection and
1 000-meter grid: Universal Transverse Mercator, Zone 15S
10 000-foot ticks: Oklahoma Coordinate System of 1983
(north zone)

Imagery.....N.A.I.P., April 2008
Roads.....National Transportation Dataset, 2006 - 2008
Names.....GNIS, 2008
Hydrography.....National Hydrography Dataset, 2008
Contours.....National Elevation Dataset, 2007



CONTOUR INTERVAL 10 FEET
This map was produced to conform with version 0.5.10 of the
draft USGS Standards for 7.5-Minute Quadrangle Maps.
A metadata file associated with this product is also draft version 0.5.10



OKMULGEE NE, OK
2010