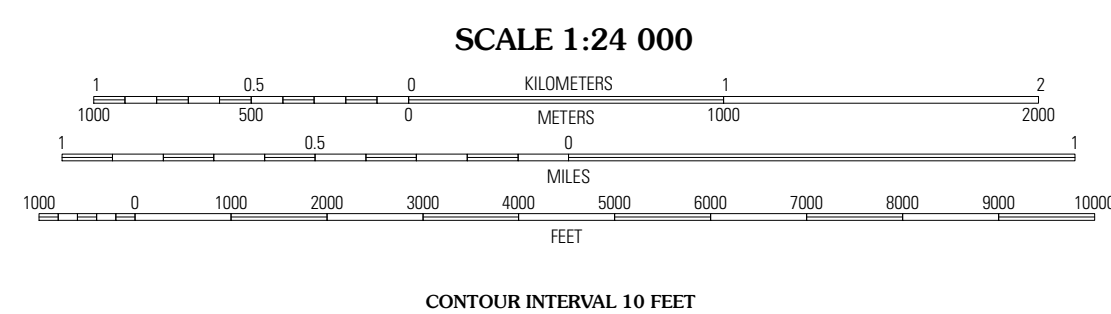
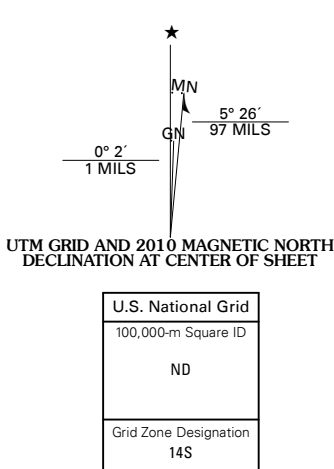


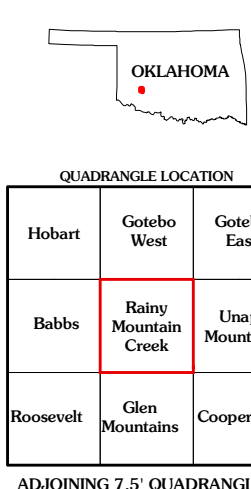


Produced by the United States Geological Survey
North American Datum of 1983 (NAD83)
World Geodetic System of 1984 (WGS84). Projection and
1 000-meter grid: Universal Transverse Mercator, Zone 14S
10 000-foot ticks: Oklahoma Coordinate System of 1983
(south zone)

Imagery.....NAP, April 2008
Roads.....National Transportation Dataset, 2005
Names.....GNIS, 2008
Hydrography.....National Hydrography Dataset, 2008
Contours.....National Elevation Dataset, 2000



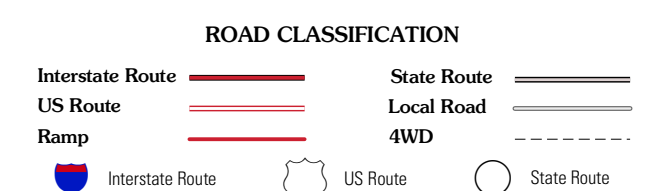
This map was produced to conform with version 0.5.10 of the
draft USGS Standards for 7.5-Minute Quadrangle Maps.
A metadata file associated with this product is also draft version 0.5.10



QUADRANGLE LOCATION

Hobart	Gotebo West	Gotebo East
Babb	Rainy Mountain Creek	Unap Mountain
Roosevelt	Glen Mountains	Cooperston

ADJOINING 7.5' QUADRANGLES



RAINY MOUNTAIN CREEK, OK
2010