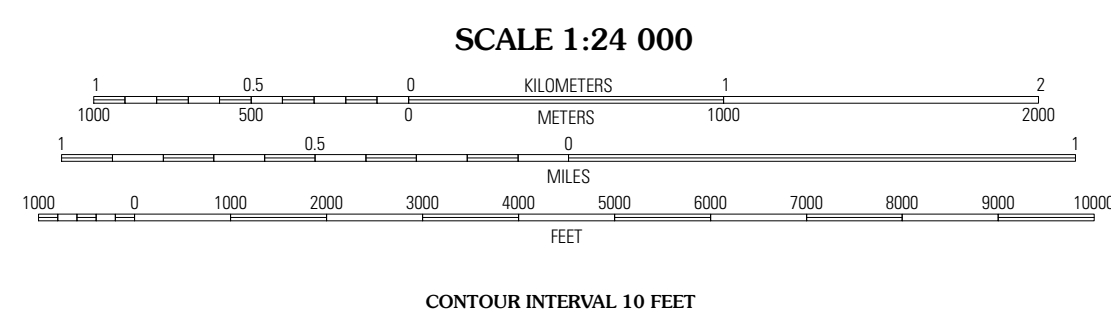
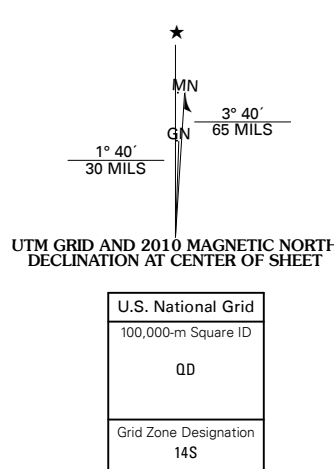


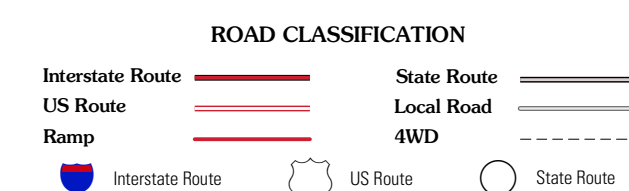
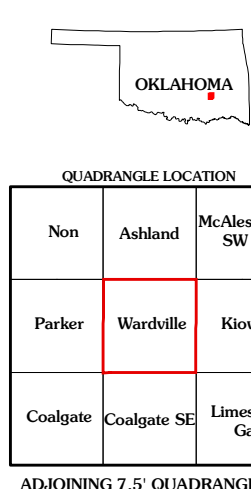


Produced by the United States Geological Survey
North American Datum of 1983 (NAD83)
World Geodetic System of 1984 (WGS84). Projection and
1 000-meter grid: Universal Transverse Mercator, Zone 14S
10 000-foot ticks: Oklahoma Coordinate System of 1983
(south zone)

Imagery.....NAIP, April 2008 - May 2008
Roads.....National Transportation Dataset, 2007
Names.....GNIS, 2008
Hydrography.....National Hydrography Dataset, 2008
Contours.....National Elevation Dataset, 2007



This map was produced to conform with version 0.5.10 of the
draft USGS Standards for 7.5-Minute Quadrangle Maps.
A metadata file associated with this product is also draft version 0.5.10



QUADRANGLE LOCATION		
Non	Aabland	McAlester SW
Parker	Wardville	Kiowa
Coalgate	Coalgate SE	Limestone Gap

WARDVILLE, OK
2010

ADJOINING 7.5 QUADRANGLES