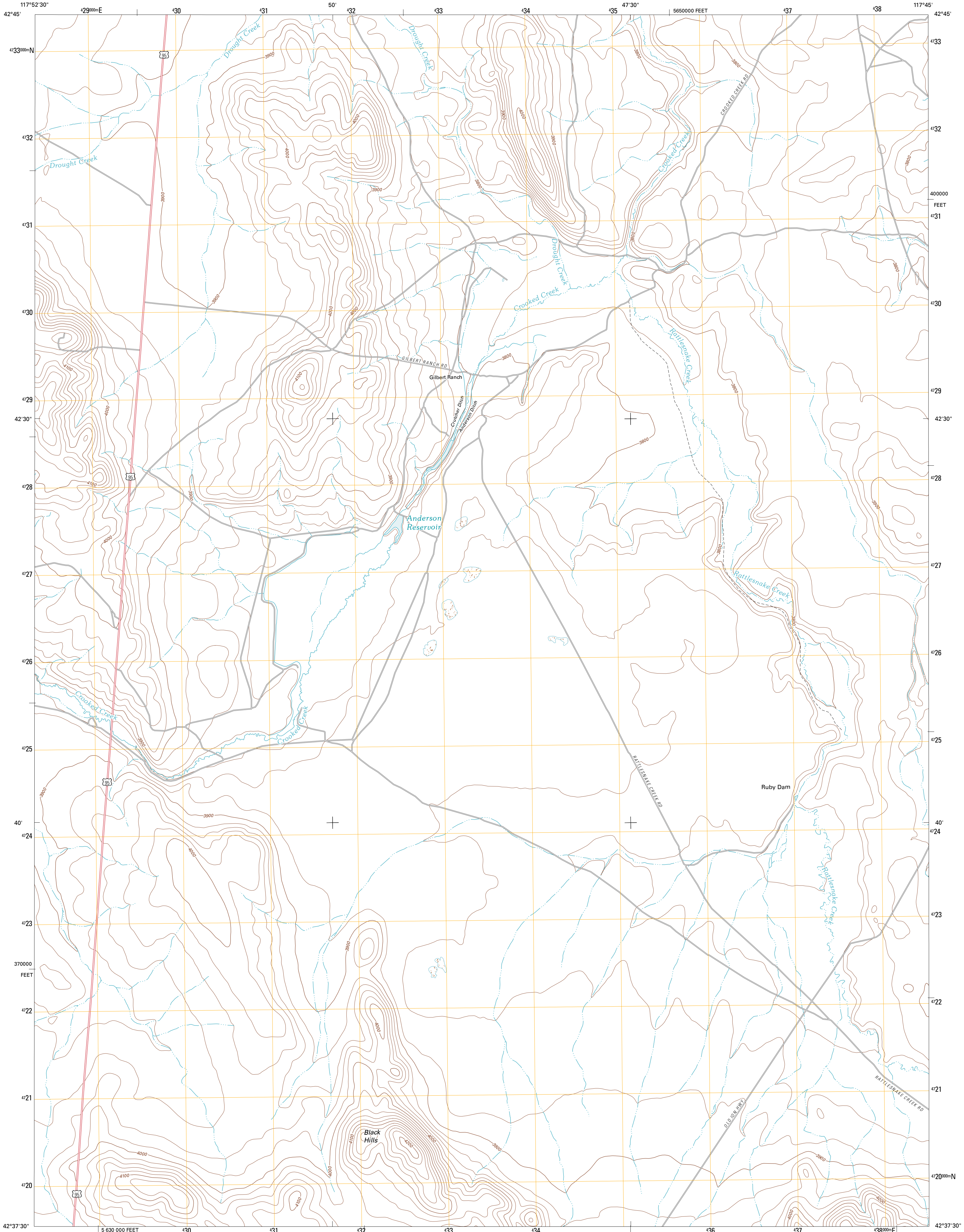




U.S. DEPARTMENT OF THE INTERIOR
U. S. GEOLOGICAL SURVEY

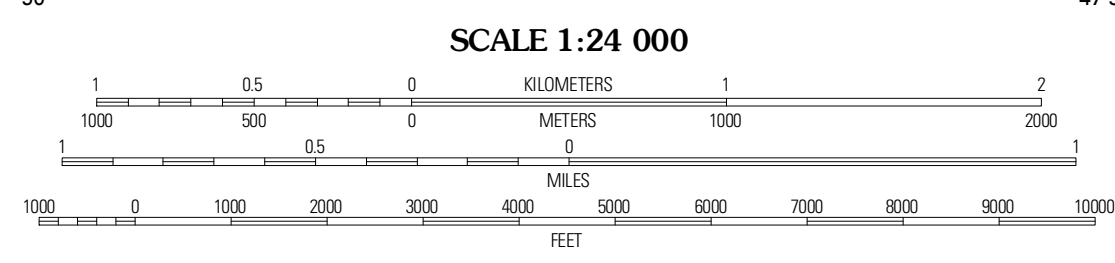
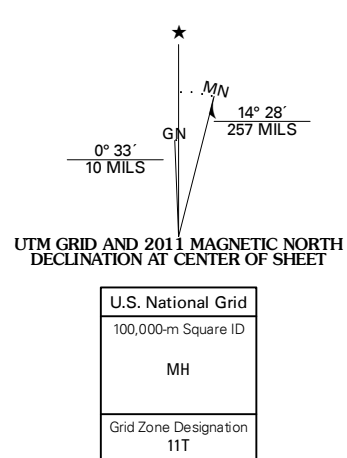


ANDERSON RESERVOIR QUADRANGLE
OREGON-MALHEUR CO.
7.5-MINUTE SERIES



Produced by the United States Geological Survey
North American Datum of 1983 (NAD83)
World Geodetic System of 1984 (WGS84). Projection and
1 000-meter grid: Universal Transverse Mercator, Zone 11T
10 000-foot ticks: Oregon Coordinate System of 1983 (south zone)

Imagery.....N.A.P., July 2009
Roads.....©2006-2010 Tele Atlas
Names.....GNS, 2010
Hydrography.....National Hydrography Dataset, 2009
Contours.....National Elevation Dataset, 2000
Boundaries.....Census, IBWC, IBC, USGS, 1972 - 2010

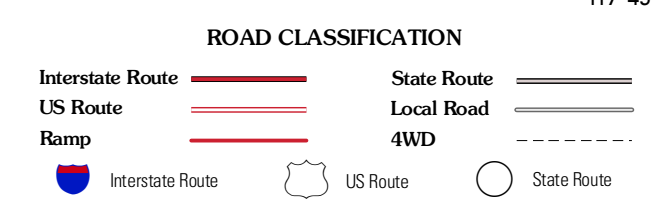


CONTOUR INTERVAL 20 FEET
NORTH AMERICAN VERTICAL DATUM OF 1988

This map was produced to conform with version 0.5.10 of the USGS US Topo Product Standard.
A metadata file associated with this product is draft version 0.5.16



Palomino Hills	Burns Junction	Rome
Flat Top Mountain	Anderson Reservoir	The Basin
Rome State Airport	Flat Top Mountain SE	Bowden Ranch



ANDERSON RESERVOIR, OR
2011

ADJOINING 7.5' QUADRANGLES