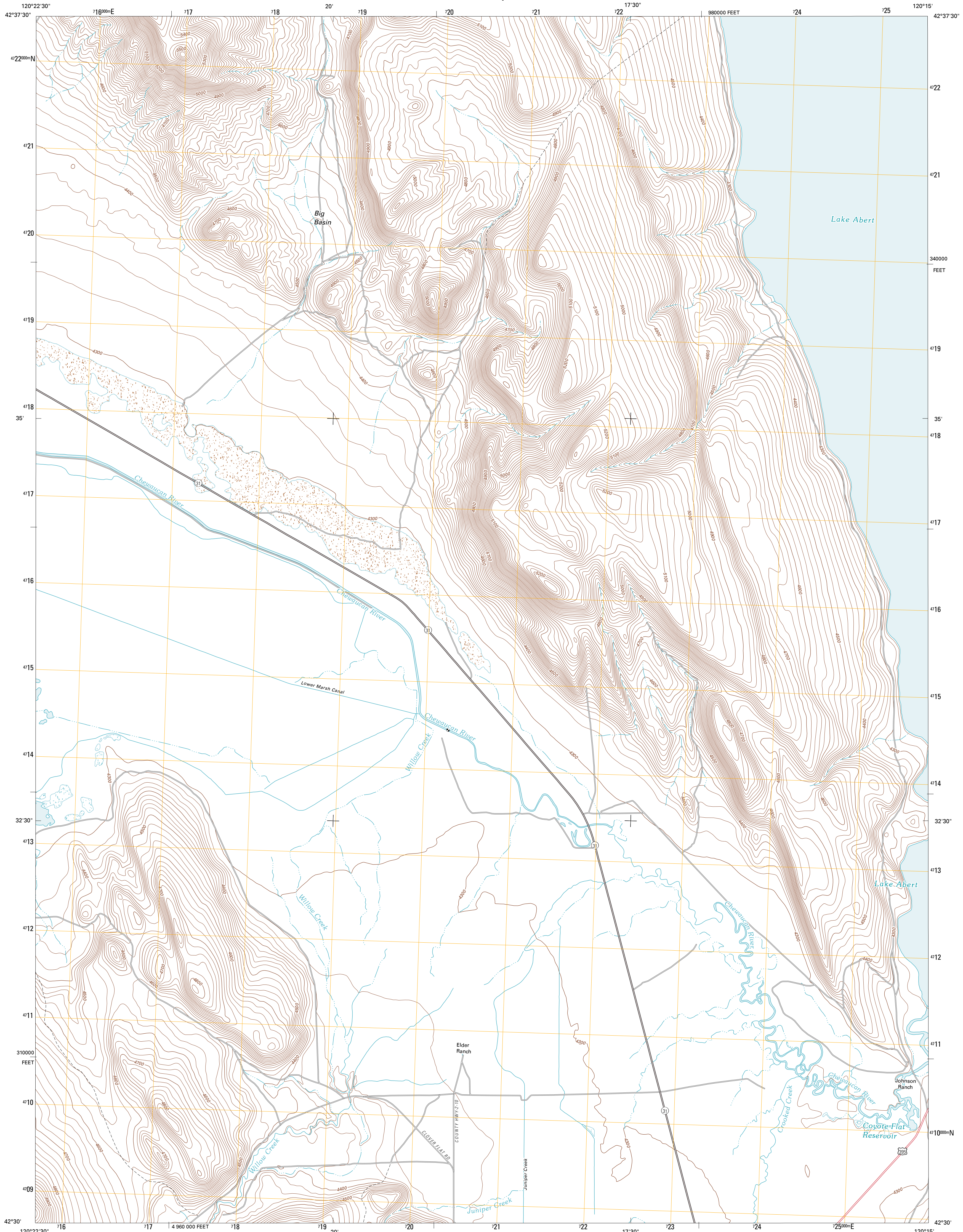




U.S. DEPARTMENT OF THE INTERIOR
U. S. GEOLOGICAL SURVEY

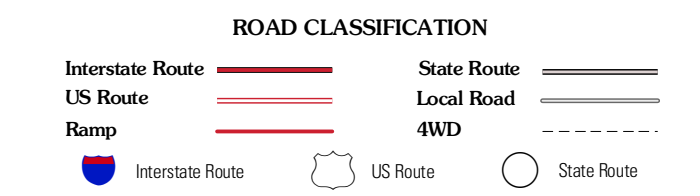
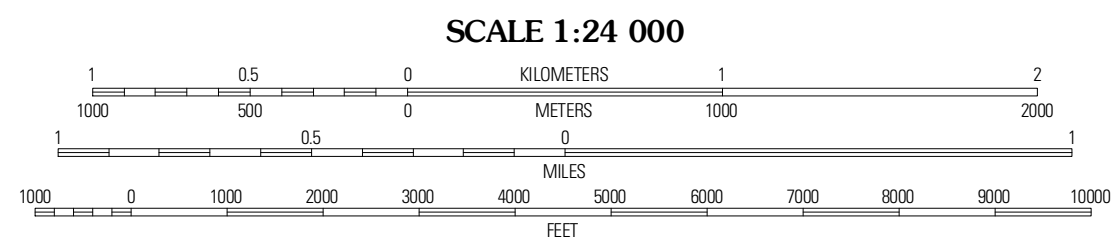
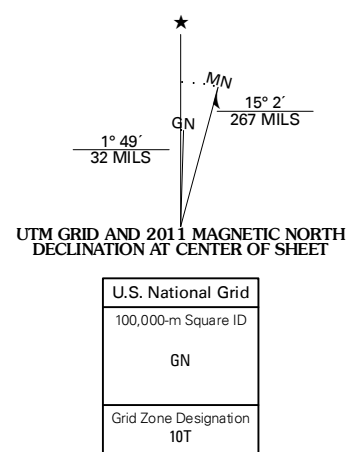


COGLAN BUTTES SE QUADRANGLE
OREGON-LAKE CO.
7.5-MINUTE SERIES



Produced by the United States Geological Survey
North American Datum of 1983 (NAD83)
World Geodetic System of 1984 (WGS84). Projection and
1 000-meter grid: Universal Transverse Mercator, Zone 10T
10 000-foot ticks: Oregon Coordinate System of 1983 (south
zone)

Imagery.....NAIP, July 2009
Roads.....©2006-2010 Tele Atlas
Names.....GNIS, 2010
Hydrography.....National Hydrography Dataset, 2009
Contours.....National Elevation Dataset, 2000
Boundaries.....Census, IBWC, IBC, USGS, 1972 - 2010



Coglan Buttes	Coglan Buttes NE	Lake Abert North
Tucker Hill	Coglan Buttes SE	Lake Abert South
Clover Flat	Valley Falls	Little Honey Creek

ADJOINING 7.5 QUADRANGLES

CONTOUR INTERVAL 20 FEET
NORTH AMERICAN VERTICAL DATUM OF 1988

This map was produced to conform with version 0.5.10
of the USGS US Topo Product Standard.
A metadata file associated with this product is draft version 0.5.16

COGLAN BUTTES SE, OR
2011