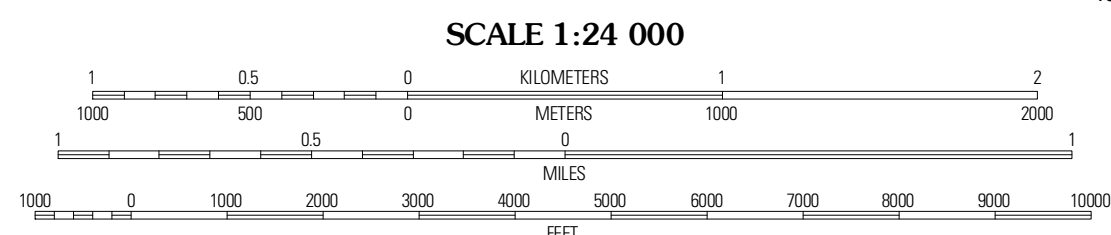
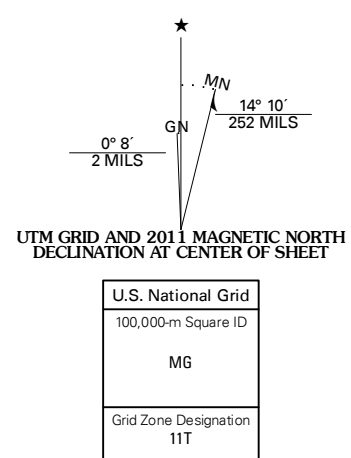


Produced by the United States Geological Survey
North American Datum of 1983 (NAD83)
World Geodetic System of 1984 (WGS84) Projection and
1 000-meter grid: Universal Transverse Mercator, Zone 11T
10 000-foot ticks: Oregon Coordinate System of 1983 (south zone), Nevada Coordinate System of 1983 (west zone)

Imagery.....NAIP, July 2009
Roads.....©2006-2010 Tele Atlas
Names.....GNIS, 2010
Hydrography.....National Hydrography Dataset, 2009
Contours.....National Elevation Dataset, 2000
Boundaries.....Census, IBWC, IBC, USGS, 1972 - 2010



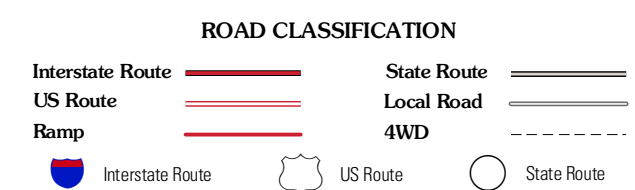
CONTOUR INTERVAL 20 FEET
NORTH AMERICAN VERTICAL DATUM OF 1988

This map was produced to conform with version 0.5.10 of the USGS US Topo Product Standard. A metadata file associated with this product is draft version 0.5.16



QUADRANGLE LOCATION

Goodhue Meadows	Stoney Corral	Defeat Butte
Oregon Butte	Lookout Lake	Star Valley Knoll
Mahogany Spring	Calico Butte	Nadine Butte



LOOKOUT LAKE, OR-NV
2011

ADJOINING 7.5' QUADRANGLES