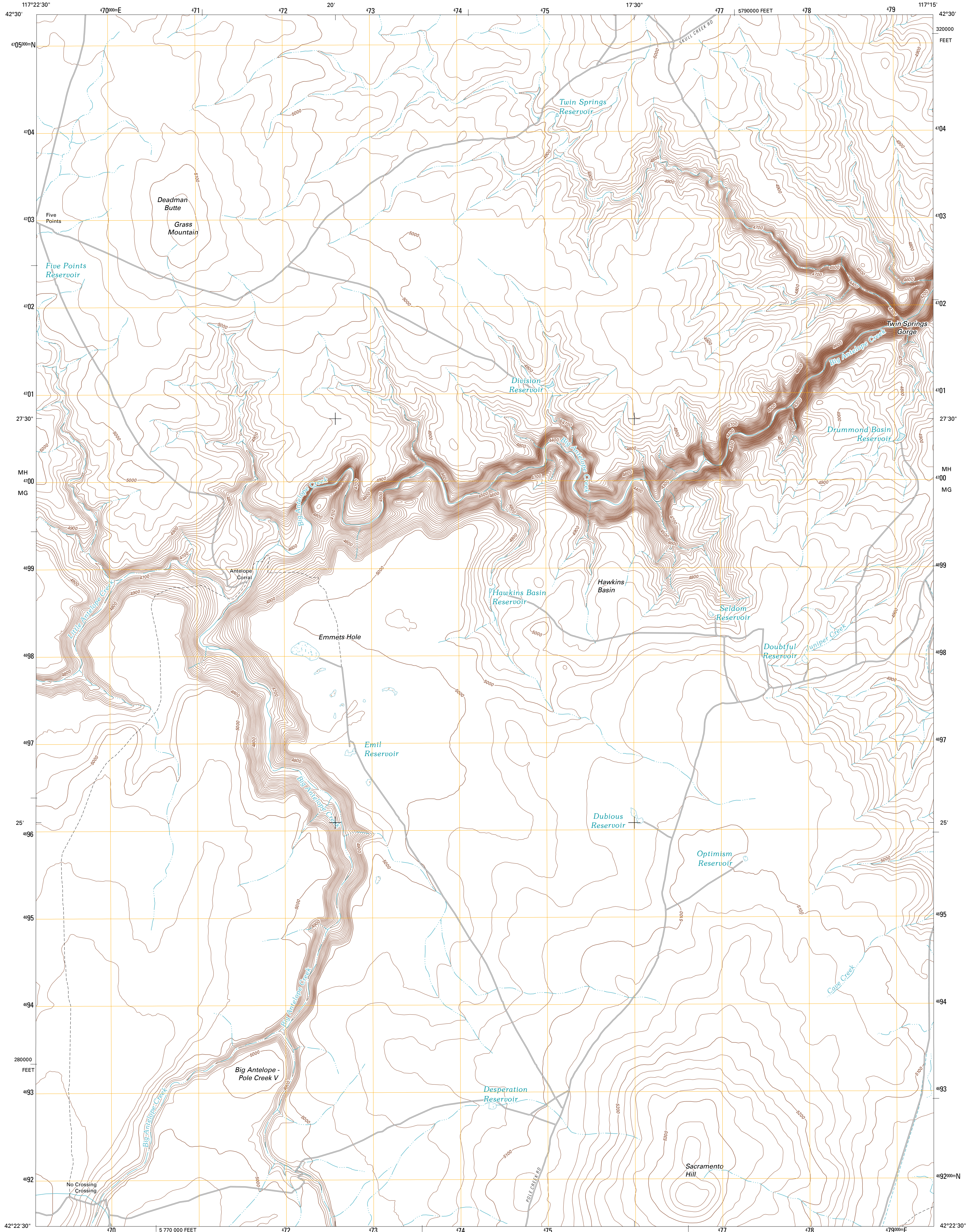




U.S. DEPARTMENT OF THE INTERIOR
U. S. GEOLOGICAL SURVEY

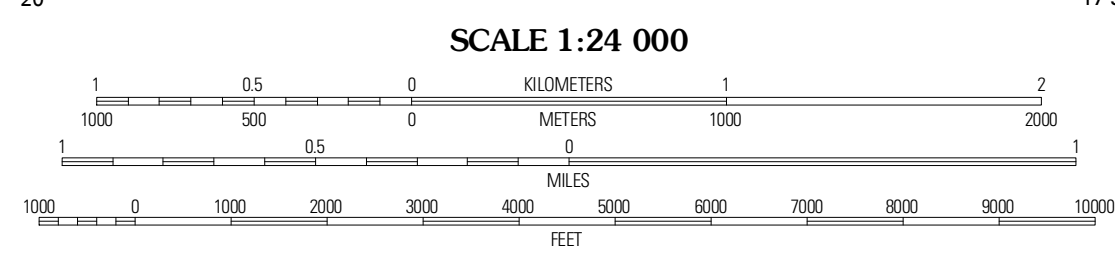
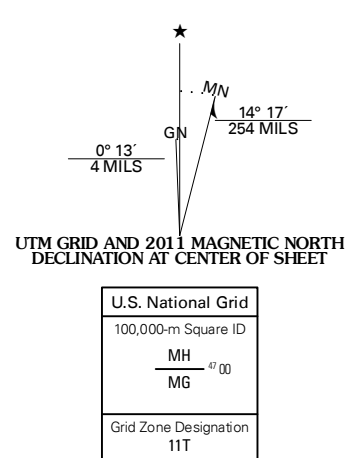


NO CROSSING CROSSING QUADRANGLE
OREGON-MALHEUR CO.
7.5-MINUTE SERIES



Produced by the United States Geological Survey
North American Datum of 1983 (NAD83)
World Geodetic System of 1984 (WGS84). Projection and
1000-meter grid: Universal Transverse Mercator, Zone 11T
10 000-foot ticks: Oregon Coordinate System of 1983 (south
zone)

Imagery.....NAIP, July 2009
Roads.....©2006-2010 Tele Atlas
Names.....©2006-2010 Tele Atlas
Hydrography.....National Hydrography Dataset, 2009
Contours.....National Elevation Dataset, 2000
Boundaries.....Census, IBWC, IBC, USGS, 1972 - 2010



CONTOUR INTERVAL 20 FEET
NORTH AMERICAN VERTICAL DATUM OF 1988
This map was produced to conform with version 0.5.10
of the USGS US Topo Product Standard.
A metadata file associated with this product is draft version 0.5.16



ROAD CLASSIFICATION

Interstate Route	State Route
US Route	Local Road
Ramp	4WD

Legend: Interstate Route (red line with blue shield), US Route (black line with white shield), State Route (grey line with black shield), Local Road (thin grey line), 4WD (dashed grey line).

QUADRANGLE LOCATION

Caxatta Ridge	Snow Flat	Three Forks
Peacock Lake	No Crossing	Drummond Basin
Savation Spring	Rowside Springs	Rowside Pocket

NO CROSSING CROSSING, OR
2011

ADJOINING 7.5 QUADRANGLES