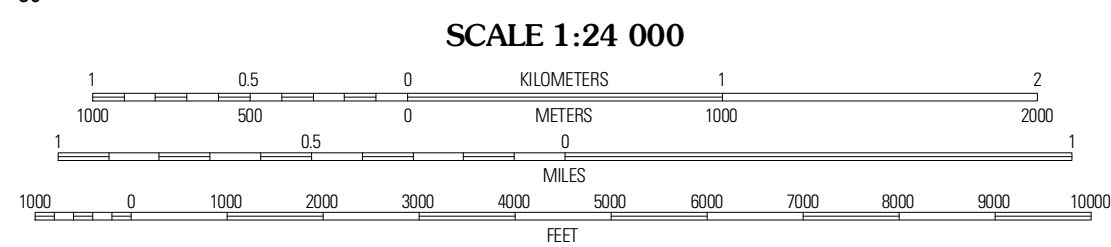
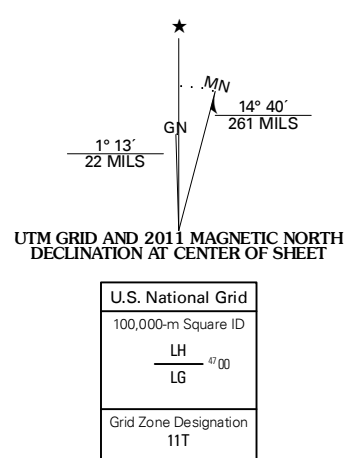


Produced by the United States Geological Survey
North American Datum of 1983 (NAD83)
World Geodetic System of 1984 (WGS84). Projection and
1 000-meter grid: Universal Transverse Mercator, Zone 11T
10 000-foot ticks: Oregon Coordinate System of 1983 (south
zone)

Imagery.....NAIP, July 2009
Roads.....©2006-2010 Tele Atlas
Names.....©2010
Hydrography.....National Hydrography Dataset, 2009
Contours.....National Elevation Dataset, 2000
Boundaries.....Census, IBWC, IBC, USGS, 1972 - 2010



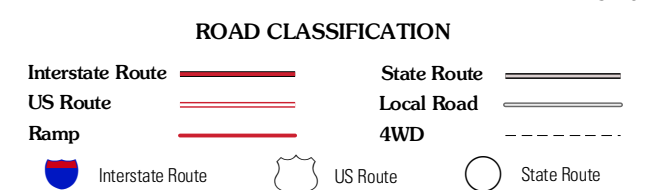
CONTOUR INTERVAL 20 FEET
NORTH AMERICAN VERTICAL DATUM OF 1988

This map was produced to conform with version 0.5.10
of the USGS US Topo Product Standard.
A metadata file associated with this product is draft version 0.5.16



QUADRANGLE LOCATION

Home Creek Basin	Rearing Springs SE	Ankle Creek
Garrison Lake	Skull Creek Butte	V Lake
Square Mountain	Fields Basin	Fields



SKULL CREEK BUTTE, OR
2011

ADJOINING 7.5 QUADRANGLES