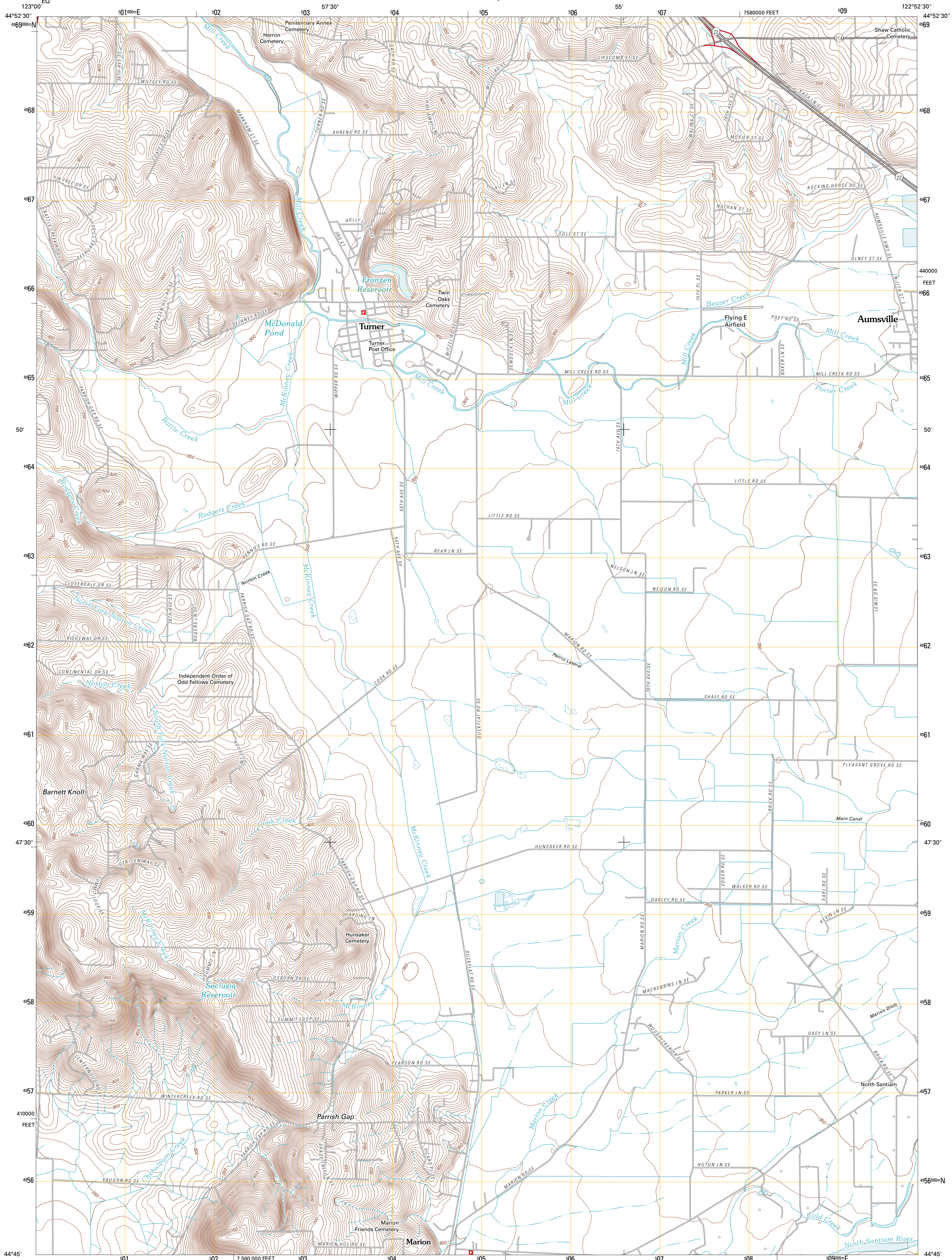




U.S. DEPARTMENT OF THE INTERIOR
U. S. GEOLOGICAL SURVEY

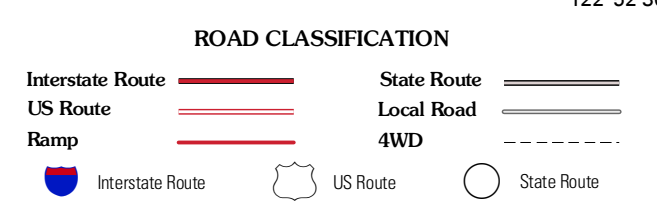
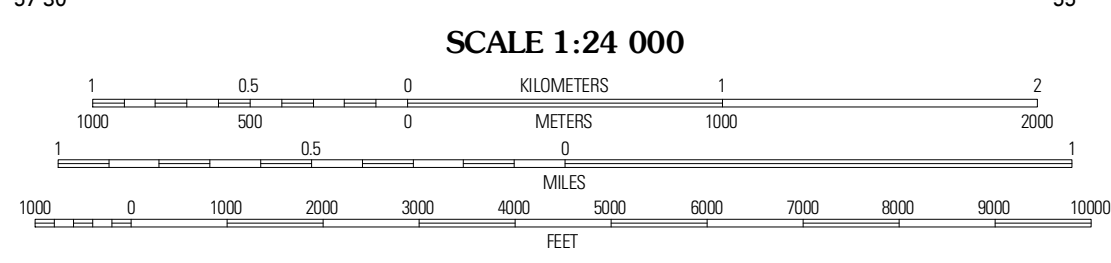
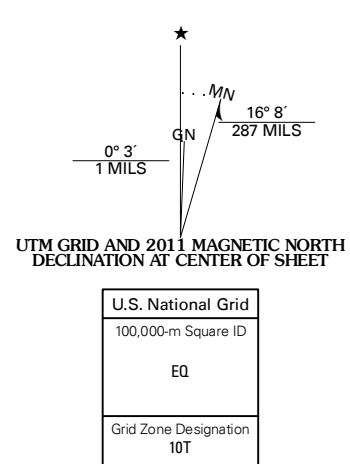


TURNER QUADRANGLE
OREGON
7.5-MINUTE SERIES



Produced by the United States Geological Survey
North American Datum of 1983 (NAD83)
World Geodetic System of 1984 (WGS84). Projection and
1 000-meter grid: Universal Transverse Mercator, Zone 10T
10 000-foot ticks: Oregon Coordinate System of 1983 (north
zone)

Imagery.....NAP, June 2009 - July 2009
Roads.....©2006-2010 Tele Atlas
Names.....©NS, 2010
Hydrography.....National Hydrography Dataset, 2009
Contours.....National Elevation Dataset, 2000
Boundaries.....Census, IBWC, IBC, USGS, 1972 - 2010



Salem West	Salem East	Stayton NE
Sidway	Turner	Stayton
Albany	Crabtree	Scio

ADJOINING 7.5 QUADRANGLES

CONTOUR INTERVAL 10 FEET
NORTH AMERICAN VERTICAL DATUM OF 1988

This map was produced to conform with version 0.5.10
of the USGS US Topo Product Standard.
A metadata file associated with this product is draft version 0.5.16

TURNER, OR
2011