

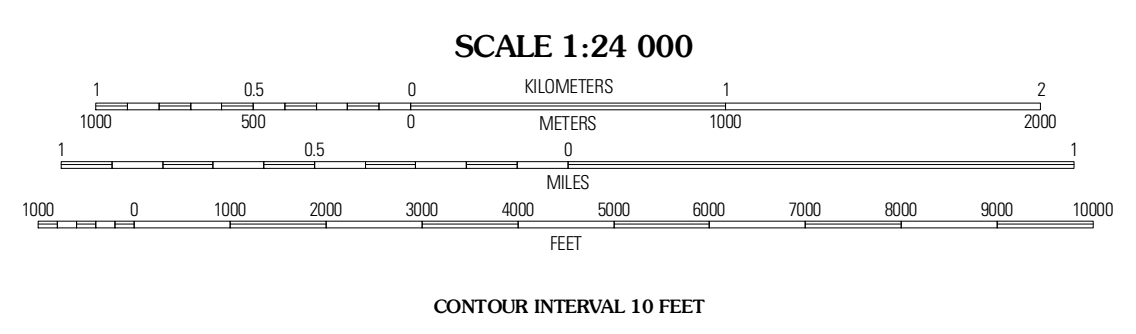


Produced by the United States Geological Survey  
North American Datum of 1983 (NAD83)  
World Geodetic System of 1984 (WGS84). Projection and  
1 000-meter grid: Universal Transverse Mercator, Zone 16S  
10 000-foot ticks: Tennessee Coordinate System of 1983

Imagery.....NAIP, June 2008  
Roads.....US Census Bureau TIGER data  
with limited USGS updates, 2008  
Names.....GNIS, 2008  
Hydrography.....National Hydrography Dataset, 2008  
Contours.....National Elevation Dataset, 2001

UTM GRID AND 2010 MAGNETIC NORTH  
DECLINATION AT CENTER OF SHEET

U.S. National Grid 100,000-m Square ID	CE
Grid Zone Designation	18S



ROAD CLASSIFICATION

Interstate Route	State Route
US Route	Local Road
Ramp	4WD

QUADRANGLE LOCATION

Bradford	Travnant West	Travnant East
Milan	Atwood	McLemoreville
Medina	Spring Creek	Coker Grove

ADJOINING 7.5' QUADRANGLES

ATWOOD, TN  
2010

This map was produced to conform with version 0.5.10 of the  
draft USGS Standards for 7.5-Minute Quadrangle Maps.  
A metadata file associated with this product is also draft version 0.5.10