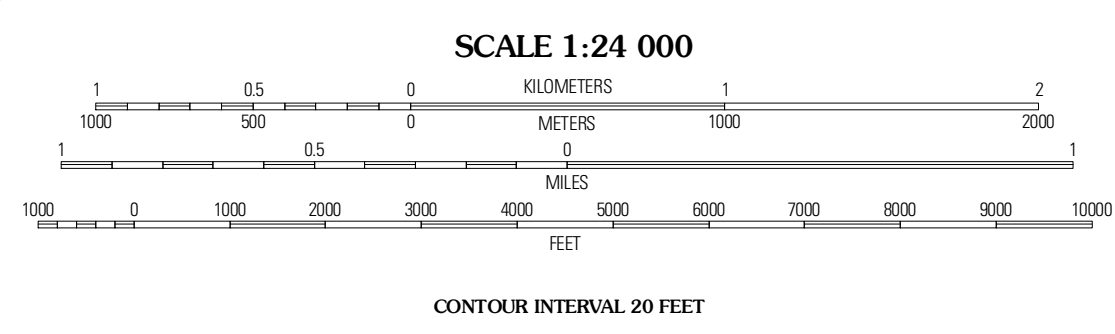


Produced by the United States Geological Survey  
North American Datum of 1983 (NAD83)  
US Census Bureau TIGER data with limited USGS updates, 2008  
World Geodetic System of 1984 (WGS84), Projection and 1 000-meter grid; Universal Transverse Mercator, Zone 17S  
10 000-foot ticks; Tennessee Coordinate System of 1983

Imagery: NAIP, April 2008  
Roads: US Census Bureau TIGER data with limited USGS updates, 2008  
Names: GNS, 2008  
Hydrography: National Hydrography Dataset, 2008  
Contours: National Elevation Dataset, 2001

UTM GRID AND 2011 MAGNETIC NORTH DECLINATION AT CENTER OF SHEET

U.S. National Grid
100 000-m Square ID
KA
Grid Zone Designation
17S



ROAD CLASSIFICATION

Interstate Route	State Route
US Route	Local Road
Ramp	4WD

QUADRANGLE LOCATION

Demery	White Hollow	Magnardelle
Norris	<b>Big Ridge Park</b>	Graveston
Powell	Fountain City	John Sester

ADJOINING 7.5 QUADRANGLES

This map was produced to conform with version 0.5.10 of the draft USGS Standards for 7.5-Minute Quadrangle Maps. A metadata file associated with this product is also draft version 0.5.10