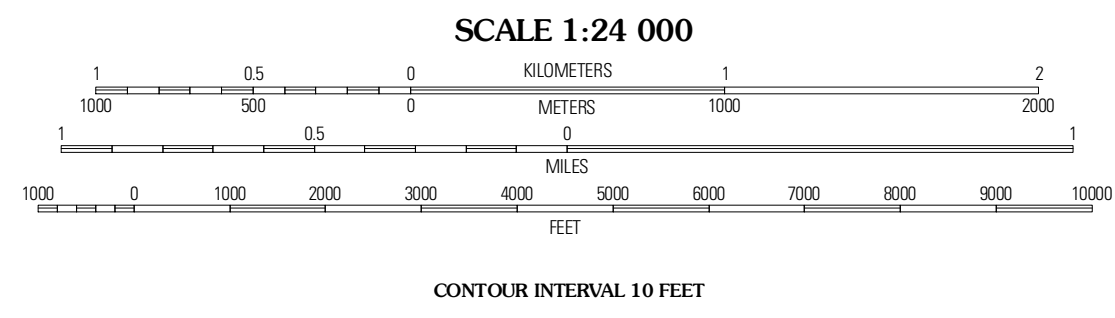




Produced by the United States Geological Survey  
North American Datum of 1983 (NAD83)  
US Census Bureau TIGER data with limited USGS updates, 2008  
Names.....GNIS, 2008  
Hydrography.....National Hydrography Dataset, 2008  
Contours.....National Elevation Dataset, 2001

UTM GRID AND 2011 MAGNETIC NORTH DECLINATION AT CENTER OF SHEET

U.S. National Grid	100,000 m Square ID
CE 1 DE	00
CE 1 DE	00
Grid Zone Designator	18S



**ROAD CLASSIFICATION**

Interstate Route	State Route
US Route	Local Road
Ramp	4WD

**QUADRANGLE LOCATION**

West Sandy Dike	Poplar Creek	McKinnon
Marleyville	Big Sandy	Harmon Creek
Bruceston	Camden	Johnsonville

ADJOINING 7.5 QUADRANGLES

This map was produced to conform with version 0.5.10 of the draft USGS Standards for 7.5-Minute Quadrangle Maps. A metadata file associated with this product is also draft version 0.5.10

**BIG SANDY, TN**  
2010