

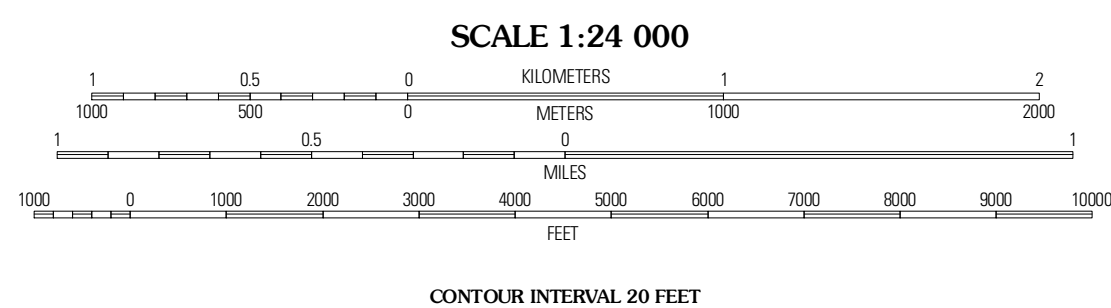


Produced by the United States Geological Survey  
North American Datum of 1983 (NAD83)  
World Geodetic System of 1984 (WGS84). Projection and  
1 000-meter grid: Universal Transverse Mercator, Zone 16S  
10 000-foot ticks: Tennessee Coordinate System of 1983

UTM GRID AND 2010 MAGNETIC NORTH DECLINATION AT CENTER OF SHEET

U.S. National Grid  
10,000-Meter Square Grid  
FE

Grid Zone Designation  
16S



QUADRANGLE LOCATION

Smithville	Slick Bridge	Cassville
Dibrell	Campaign	Duple
McMinnville	Cadwell Mountain	Welchland

ADJOINING 7.5' QUADRANGLES

ROAD CLASSIFICATION

Interstate Route	State Route
US Route	Local Road
Ramp	4WD

Imagery.....NIP, July 2008  
Roads.....US Census Bureau TIGER data  
with limited USGS updates, 2008  
Names.....GNIS, 2008  
Hydrography.....National Hydrography Dataset, 2008  
Contours.....National Elevation Dataset, 2000

This map was produced to conform with version 0.5.10 of the  
draft USGS Standards for 7.5-Minute Quadrangle Maps.  
A metadata file associated with this product is also draft version 0.5.10

CAMPAIGN, TN  
2010