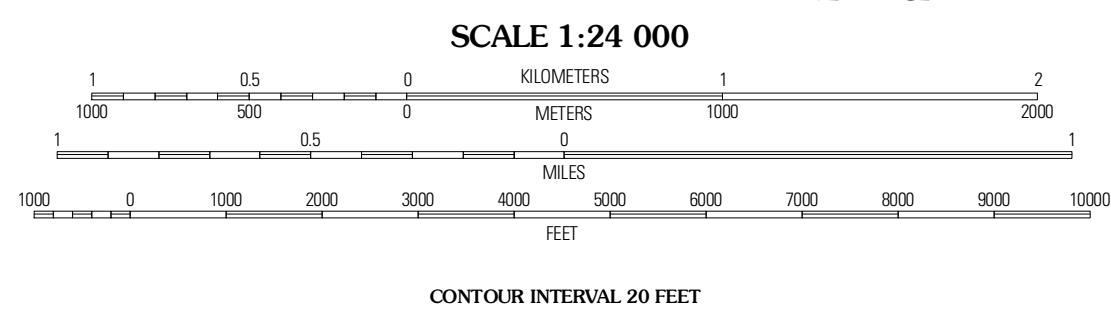
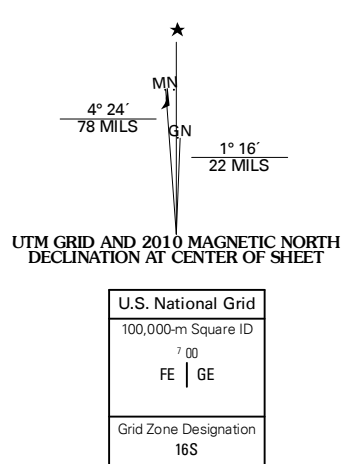




Produced by the United States Geological Survey
North American Datum of 1983 (NAD83)
World Geodetic System of 1984 (WGS84). Projection and
1 000-meter grid; Universal Transverse Mercator, Zone 16S
10 000-foot ticks; Tennessee Coordinate System of 1983



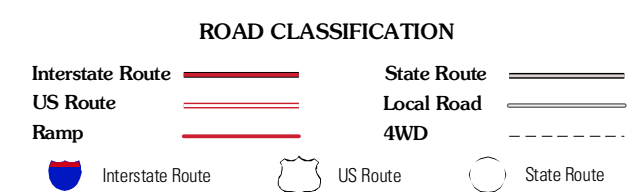
This map was produced to conform with version 0.5.10 of the
draft USGS Standards for 7.5-Minute Quadrangle Maps.
A metadata file associated with this product is also draft version 0.5.10



QUADRANGLE LOCATION

Big Spring	Goodfield	Riceville
Brecheed	Charleston	Calhoun
South Cleveland	East Cleveland	Benton

ADJOINING 7.5' QUADRANGLES



CHARLESTON, TN
2010