

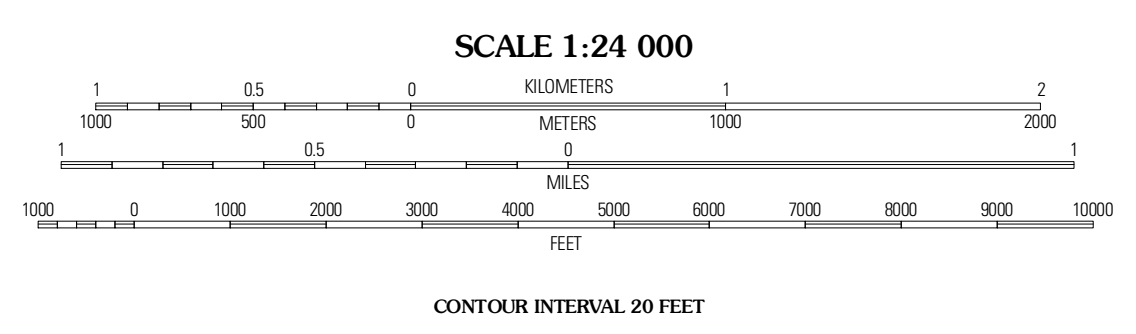


Produced by the United States Geological Survey
North American Datum of 1983 (NAD83)
World Geodetic System of 1984 (WGS84). Projection and
1 000-meter grid: Universal Transverse Mercator, Zone 16S
10 000-foot ticks: Tennessee Coordinate System of 1983

UTM GRID AND 2010 MAGNETIC NORTH DECLINATION AT CENTER OF SHEET

4° 8' 18" MILES
07° 09' 18" MILES

U.S. National Grid	100,000-m Square ID
FE	
Grid Zone Designation	16S



ROAD CLASSIFICATION

Interstate Route	State Route
US Route	Local Road
Ramp	4WD

QUADRANGLE LOCATION

Dry Valley	Monterey Lake	Campbell Junction
Sparta	De Rossett	Plenaire Hill
Bald Knob	Lonewood	Herbert Donson

ADJOINING 7.5' QUADRANGLES

This map was produced to conform with version 0.5.10 of the draft USGS Standards for 7.5-Minute Quadrangle Maps. A metadata file associated with this product is also draft version 0.5.10