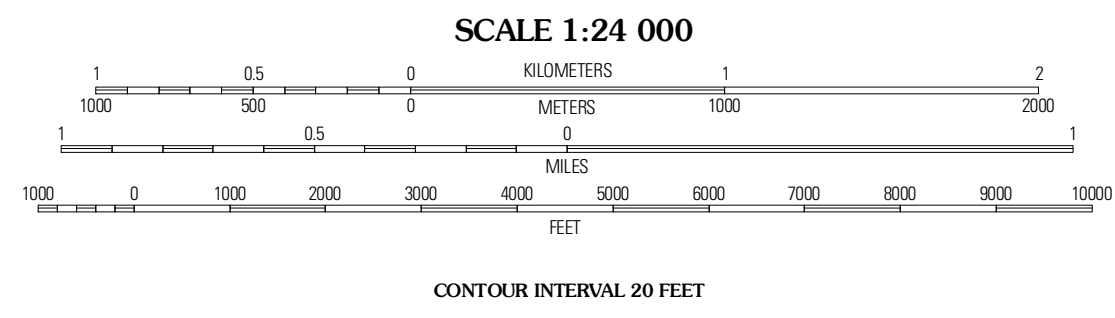
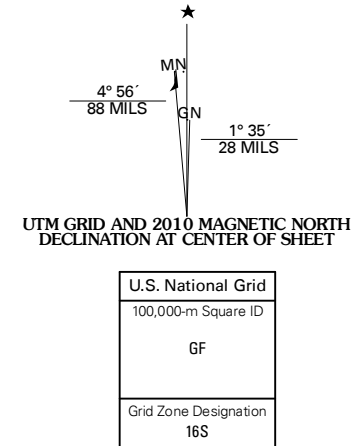




Produced by the United States Geological Survey
North American Datum of 1983 (NAD83)
US Census Bureau TIGER data with limited USGS updates, 2008
World Geodetic System of 1984 (WGS84), Projection and 1 000-meter grid; Universal Transverse Mercator, Zone 16S
10 000-foot ticks; Tennessee Coordinate System of 1983

Imagery.....N.A.I.P., April 2008
Roads.....US Census Bureau TIGER data with limited USGS updates, 2008
Names.....GNIS, 2008
Hydrography.....National Hydrography Dataset, 2008
Contours.....National Elevation Dataset, 1999



This map was produced to conform with version 0.5.10 of the draft USGS Standards for 7.5-Minute Quadrangle Maps. A metadata file associated with this product is also draft version 0.5.10

