

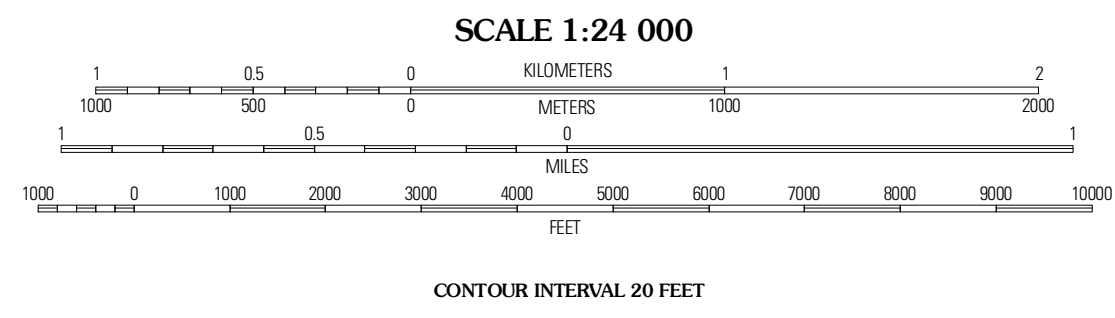


Produced by the United States Geological Survey
North American Datum of 1983 (NAD83)
US Census Bureau TIGER data
World Geodetic System of 1984 (WGS84). Projection and
1 000-meter grid; Universal Transverse Mercator, Zone 17S
10 000-foot ticks; Tennessee Coordinate System of 1983

Imagery:.....N.AIP, April 2008
Roads:.....US Census Bureau TIGER data
with limited USGS updates, 2008
Names:.....GNIS, 2008
Hydrography:.....National Hydrography Dataset, 2008
Contours:.....National Elevation Dataset, 2001

UTM GRID AND 2011 MAGNETIC NORTH
DECLINATION AT CENTER OF SHEET

U.S. National Grid	17S
100 000-m Square ID	KA
Grid Zone Designator	17S



ROAD CLASSIFICATION

Interstate Route	State Route
US Route	Local Road
Ramp	4WD

QUADRANGLE LOCATION

White Hollow	Maynardville	Powder Springs
Big Ridge Park	Graveston	Luttrell
Fountain City	John Sevier	Muscot

ADJOINING 7.5 QUADRANGLES

This map was produced to conform with version 0.5.10 of the
draft USGS Standards for 7.5-Minute Quadrangle Maps.
A metadata file associated with this product is also draft version 0.5.10