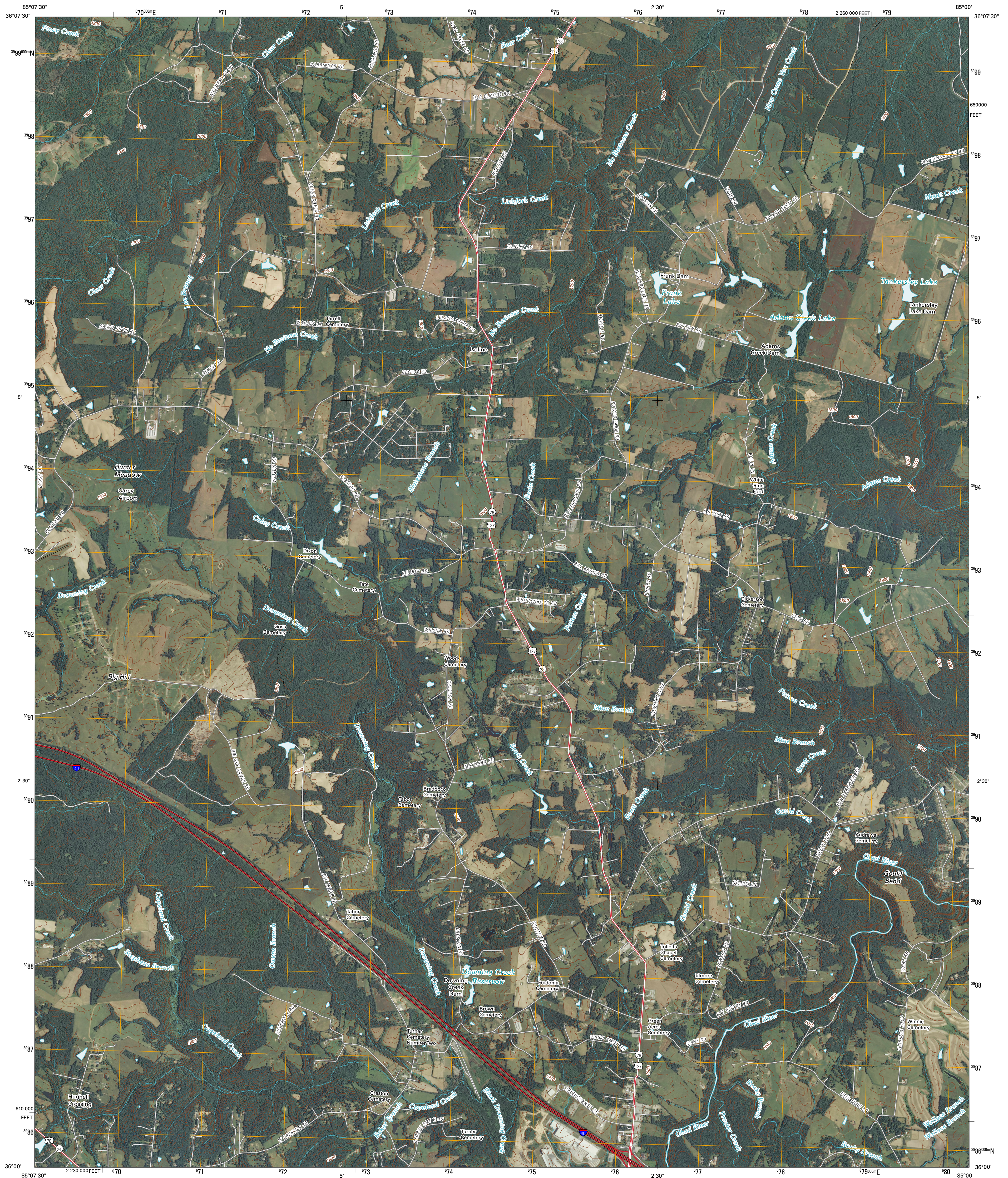




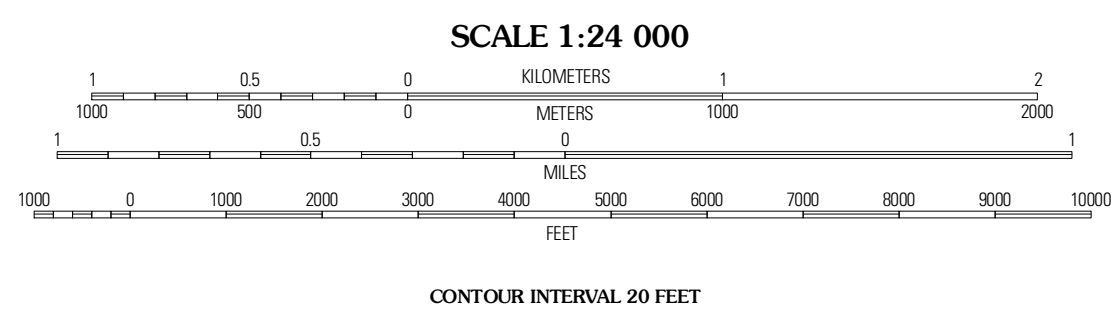
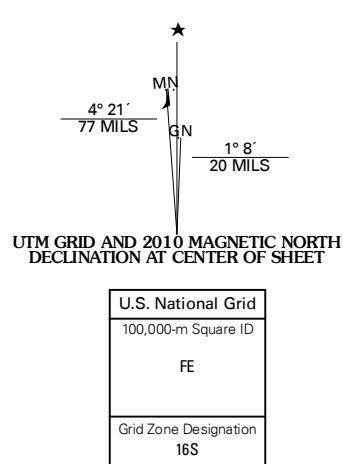
U.S. DEPARTMENT OF THE INTERIOR
U. S. GEOLOGICAL SURVEY



ISOLINE QUADRANGLE
TENNESSEE
7.5-MINUTE SERIES



Produced by the United States Geological Survey
North American Datum of 1983 (NAD83)
Roads..... US Census Bureau TIGER data
with limited USGS updates, 2008
Names..... GNIS, 2008
Hydrography..... National Hydrography Dataset, 2008
Contours..... National Elevation Dataset, 1999



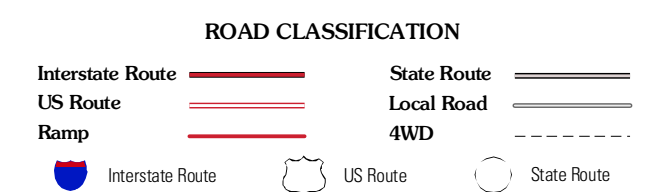
This map was produced to conform with version 0.5.10 of the draft USGS Standards for 7.5-Minute Quadrangle Maps. A metadata file associated with this product is also draft version 0.5.10



QUADRANGLE LOCATION

Obey City	Clarkrange	Jones Knob
Campbell Junction	Isoline	Fox Creek
Pleasant Hill	Crossville	Dorton

ADJOINING 7.5' QUADRANGLES



ISOLINE, TN
2010