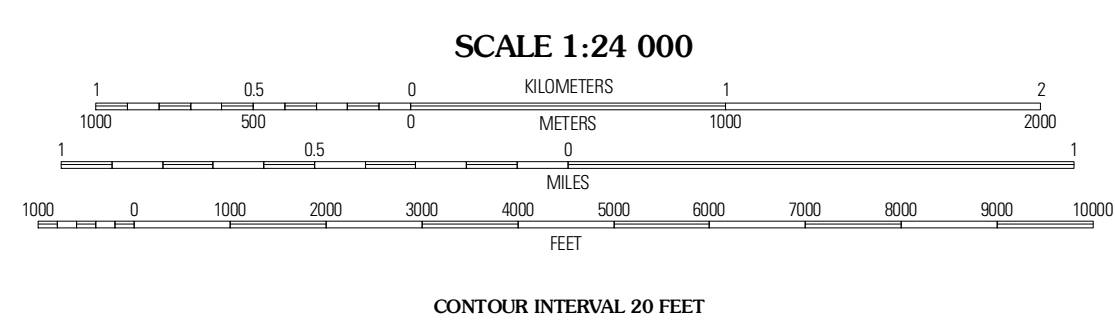




Produced by the United States Geological Survey  
North American Datum of 1983 (NAD83)  
US Census Bureau TIGER data  
with limited USGS updates, 2008  
World Geodetic System of 1984 (WGS84). Projection and  
1 000-meter grid: Universal Transverse Mercator, Zone 16S  
10 000-foot ticks: Tennessee Coordinate System of 1983

UTM GRID AND 2010 MAGNETIC NORTH DECLINATION AT CENTER OF SHEET

U.S. National Grid	100,000-m Square ID
FE	
Grid Zone Designation	16S



ROAD CLASSIFICATION

- Interstate Route
- US Route
- Ramp
- State Route
- Local Road
- 4WD

QUADRANGLE LOCATION

Monterey Lake	Campbell Junction	Isoline
De Rossett	Pleasant Hill	Crossville
Lonewood	Herbert Donah	Vandever

ADJOINING 7.5 QUADRANGLES

This map was produced to conform with version 0.5.10 of the draft USGS Standards for 7.5-Minute Quadrangle Maps. A metadata file associated with this product is also draft version 0.5.10

PLEASANT HILL, TN  
2010