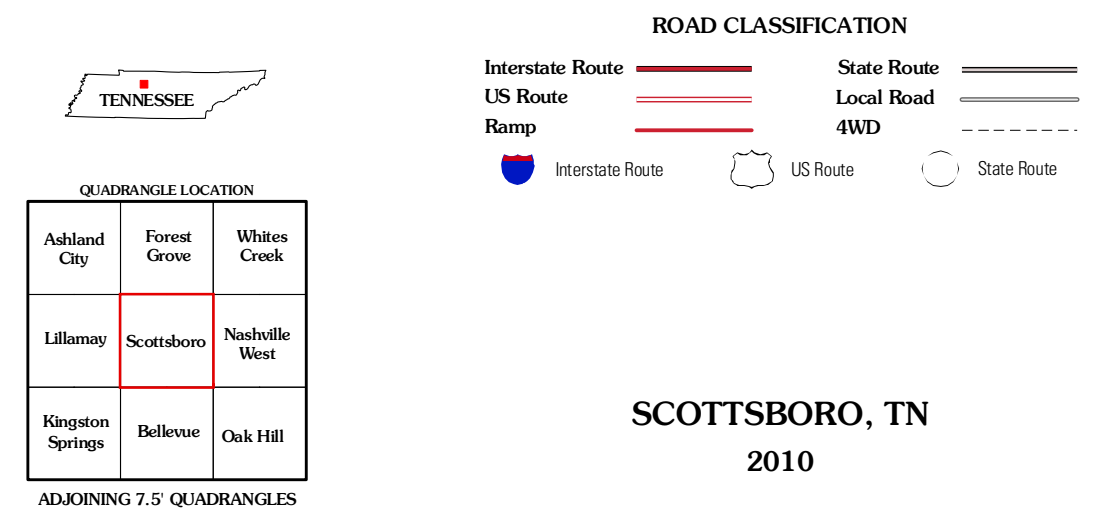
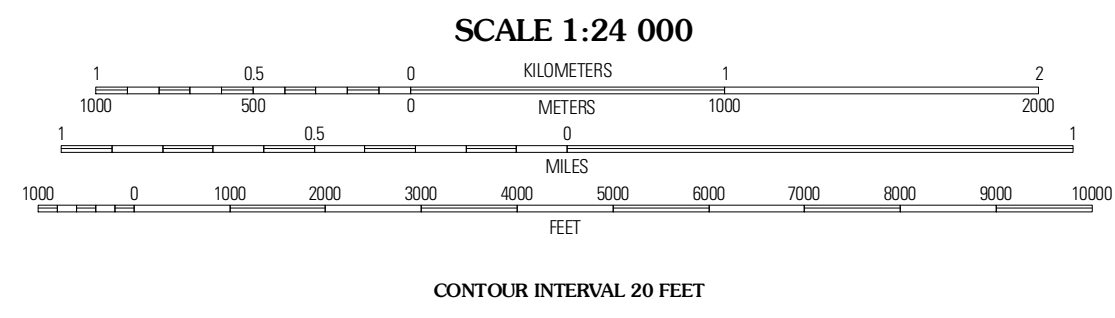
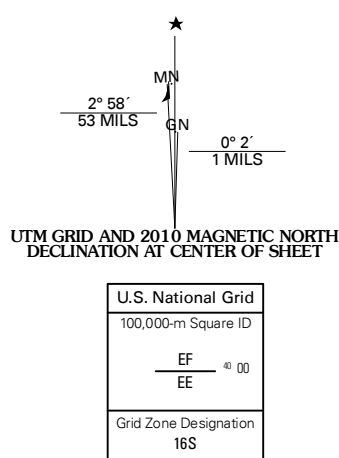




Produced by the United States Geological Survey
North American Datum of 1983 (NAD83)
US Census Bureau TIGER data
World Geodetic System of 1984 (WGS84), Projection and
1 000-meter grid; Universal Transverse Mercator, Zone 16S
10 000-foot ticks; Tennessee Coordinate System of 1983



This map was produced to conform with version 0.5.10 of the
draft USGS Standards for 7.5-Minute Quadrangle Maps.
A metadata file associated with this product is also draft version 0.5.10

SCOTTSBORO, TN
2010