

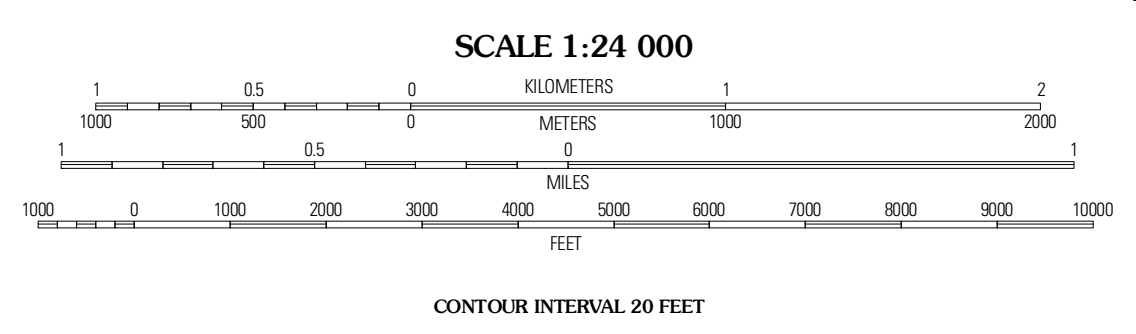


Produced by the United States Geological Survey  
North American Datum of 1983 (NAD83)  
US Census Bureau TIGER data  
with limited USGS updates, 2008  
World Geodetic System of 1984 (WGS84). Projection and  
1 000-meter grid. Universal Transverse Mercator, Zone 17S  
10 000-foot ticks: Tennessee Coordinate System of 1983

Imagery.....NAIP, April 2008 - June 2008  
Roads.....US Census Bureau TIGER data  
with limited USGS updates, 2008  
Names.....GNIS, 2008  
Hydrography.....National Hydrography Dataset, 2008  
Contours.....National Elevation Dataset, 2001

UTM GRID AND 2010 MAGNETIC NORTH  
DECLINATION AT CENTER OF SHEET

U.S. National Grid	100,000-m Square ID
KV	
Grid Zone Designation	17S



This map was produced to conform with version 0.5.10 of the  
draft USGS Standards for 7.5-Minute Quadrangle Maps.  
A metadata file associated with this product is also draft version 0.5.10

ROAD CLASSIFICATION

Interstate Route	State Route
US Route	Local Road
Ramp	4WD

QUADRANGLE LOCATION

New Market	Jefferson City	White Pine
Douglas Dam	Shady Grove	Chestnut Hill
Pigeon Forge	Richardson Cove	Jones Cove

ADJOINING 7.5 QUADRANGLES

SHADY GROVE, TN  
2010