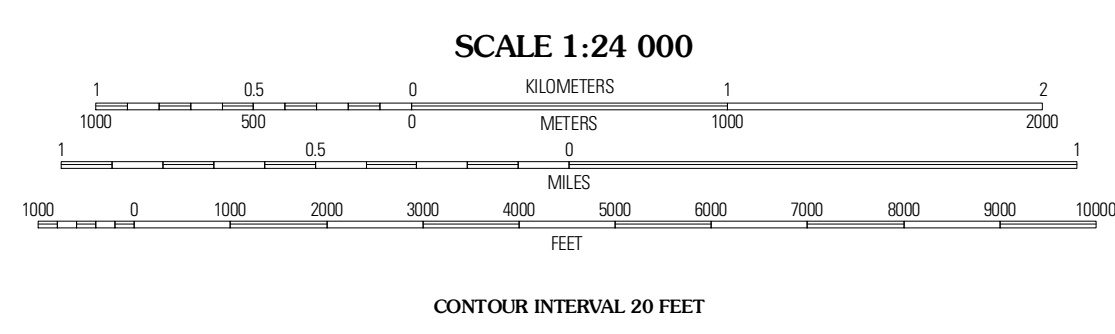
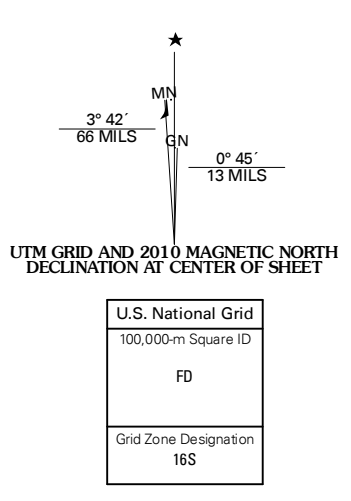




Produced by the United States Geological Survey
North American Datum of 1983 (NAD83)
World Geodetic System of 1984 (WGS84), Projection and
1 000-meter grid; Universal Transverse Mercator, Zone 16S
10 000-foot ticks; Tennessee Coordinate System of 1983

Imagery.....NAP, June 2008
Roads.....US Census Bureau TIGER data
with limited USGS updates, 2008
Names.....GNIS, 2008
Hydrography.....National Hydrography Dataset, 2008
Contours.....National Elevation Dataset, 2001



This map was produced to conform with version 0.5.10 of the
draft USGS Standards for 7.5-Minute Quadrangle Maps.
A metadata file associated with this product is also draft version 0.5.10

ROAD CLASSIFICATION

Interstate Route	State Route
US Route	Local Road
Ramp	4WD

QUADRANGLE LOCATION

Monteagle	White City	Whitwell
Orme	South Pittsburg	Sequatchie
Doran Cove	Bridgeport	New Home

ADJOINING 7.5 QUADRANGLES

SOUTH PITTSBURG, TN
2010