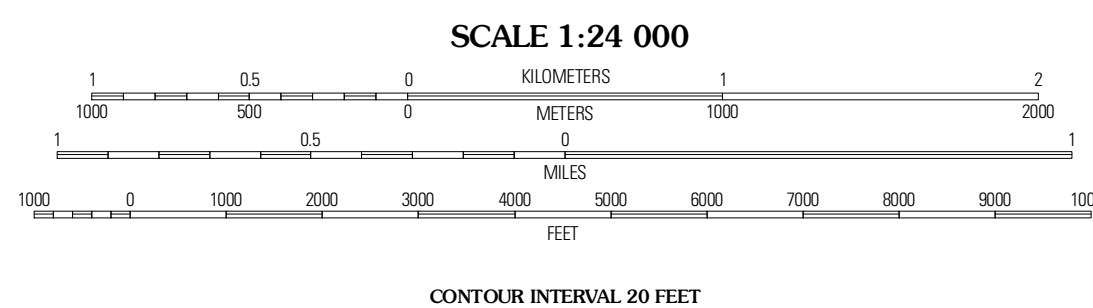
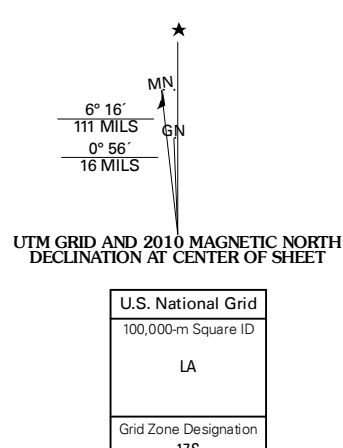


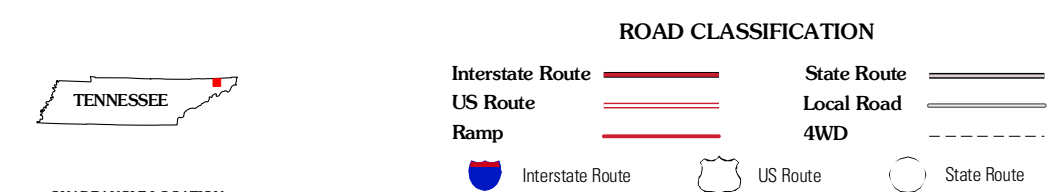


Produced by the United States Geological Survey  
North American Datum of 1983 (NAD83)  
World Geodetic System of 1984 (WGS84). Projection and  
1 000-meter grid: Universal Transverse Mercator, Zone 17S  
10 000-foot ticks: Tennessee Coordinate System of 1983

Imagery.....NIP, April 2008  
Roads.....US Census Bureau TIGER data  
with limited USGS updates, 2008  
Names.....GNIS, 2008  
Hydrography.....National Hydrography Dataset, 2009  
Contours.....National Elevation Dataset, 2001



This map was produced to conform with version 0.5.10 of the  
draft USGS Standards for 7.5-Minute Quadrangle Maps.  
A metadata file associated with this product is also draft version 0.5.10



QUADRANGLE LOCATION

Church Hill	Kingsport	Indian Springs
Lovebee	Sullivan Gardens	Boone Dam
Beardstown	Leesburg	Jonesborough

ADJOINING 7.5 QUADRANGLES

SULLIVAN GARDENS, TN  
2010