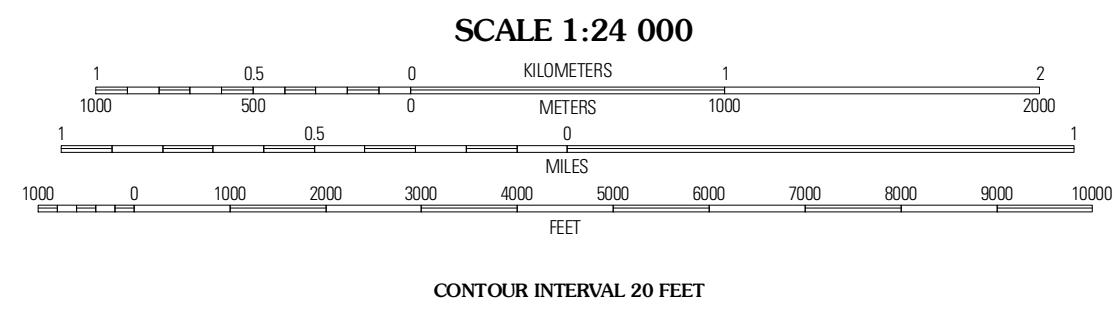


Produced by the United States Geological Survey
North American Datum of 1983 (NAD83)
World Geodetic System of 1984 (WGS84). Projection and
1 000-meter grid: Universal Transverse Mercator, Zone 13R
10 000-foot ticks: Texas Coordinate System of 1983
(south central zone)

Imagery.....NAP, September 2008
Roads.....US Census Bureau TIGER data
with limited USGS updates, 2008
Names.....GNIS, 2008
Hydrography.....National Hydrography Dataset, 1995
Contours.....National Elevation Dataset, 2006

UTM GRID AND 2010 MAGNETIC NORTH
DECLINATION AT CENTER OF SHEET

U.S. National Grid	7° 51'
100,000-m Square ID	EN
Grid Zone Designation	13R



This map was produced to conform with version 0.5.10 of the
draft USGS Standards for 7.5-Minute Quadrangle Maps.
A metadata file associated with this product is also draft version 0.5.10

QUADRANGLE LOCATION

Shafter	Clemons Mountains	Plata
La Bognalla	Alamo Spring	Casa Piedra
Piedra Blanca	Cerro Redondo	Manzanillo Canyon

ADJOINING 7.5' QUADRANGLES
TX 29104-413

ROAD CLASSIFICATION

Interstate Route	State Route
US Route	Local Road
Ramp	4WD

ALAMO SPRING, TX
2010