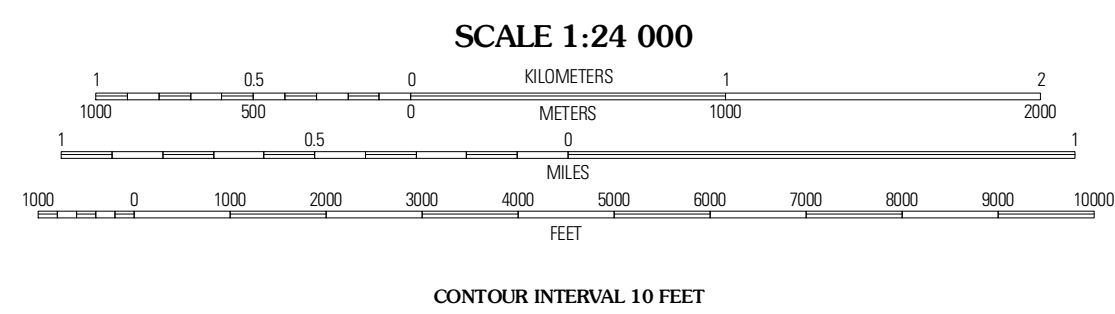
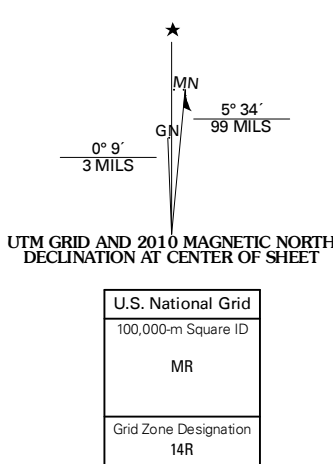




Produced by the United States Geological Survey
North American Datum of 1983 (NAD83)
World Geodetic System of 1984 (WGS84). Projection and
1 000-meter grid. Universal Transverse Mercator, Zone 14R
10 000-foot ticks: Texas Coordinate System of 1983
(south zone)

Imagery:.....NAIP, April 2008
Roads:.....US Census Bureau TIGER data
with limited USGS updates, 2008
Names:.....GNIS, 2008
Hydrography:.....National Hydrography Dataset, 1995
Contours:.....National Elevation Dataset, 2004



This map was produced to conform with version 0.5.10 of the
draft USGS Standards for 7.5-Minute Quadrangle Maps.
A metadata file associated with this product is also draft version 0.5.10



QUADRANGLE LOCATION

| | | |
|--------------------|--------------------|----------------------|
| O'Keefe Lake | Blanco Creek South | Agua Azul Creek West |
| Arroyo Salado West | Arroyo Salado East | Las Oejas Creek |
| San Ygnacio | Arroyo Burno | Mojotes Hill |

ADJOINING 7.5' QUADRANGLES
TX 2799-124

ROAD CLASSIFICATION

| | |
|------------------|-------------|
| Interstate Route | State Route |
| US Route | Local Road |
| Ramp | 4WD |