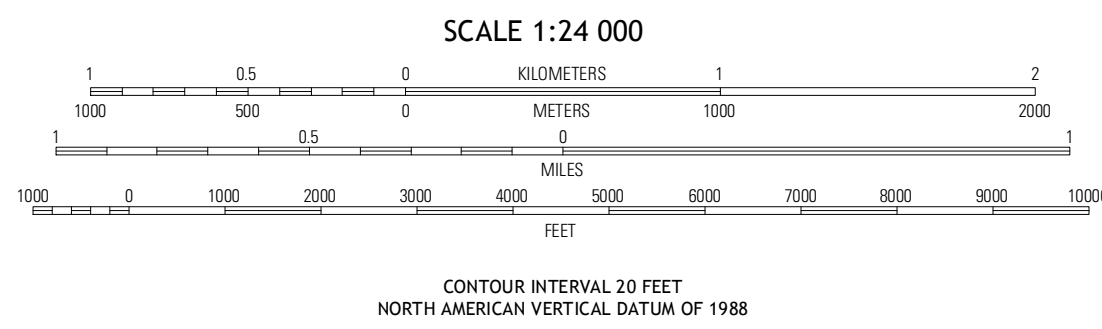
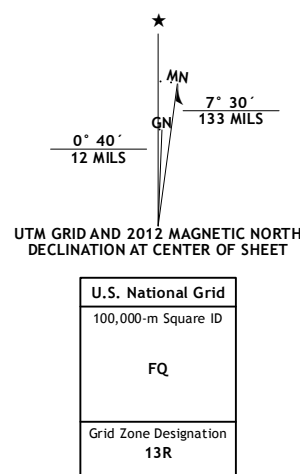


Produced by the United States Geological Survey  
North American Datum of 1983 (NAD83)  
World Geodetic System of 1984 (WGS84). Projection and  
1000-meter grid: Universal Transverse Mercator, Zone 13R  
10 000-foot ticks: Texas Coordinate System of 1983 (central  
zone)

Imagery.....NAIP, August 2010  
Roads.....©2006-2012 TomTom  
Names.....GNIS, 2012  
Hydrography.....National Hydrography Dataset, 2010  
Contours.....National Elevation Dataset, 2006  
Boundaries.....Census, IBWC, IBC, USGS, 1972 - 2012



This map was produced to conform with the  
National Geospatial Program US Topo Product Standard, 2011.  
A metadata file associated with this product is draft version 0.6.7



QUADRANGLE LOCATION

Miter Hills	Sargona	Vorhahn South
Topalvale	Balmorhea	Ox Draw
Big Agaja Mountain	Barrilla Mountains West	Barrilla Mountains East

