



U.S. DEPARTMENT OF THE INTERIOR  
U. S. GEOLOGICAL SURVEY



BUFFALO STADIUM QUADRANGLE  
TEXAS  
7.5-MINUTE SERIES

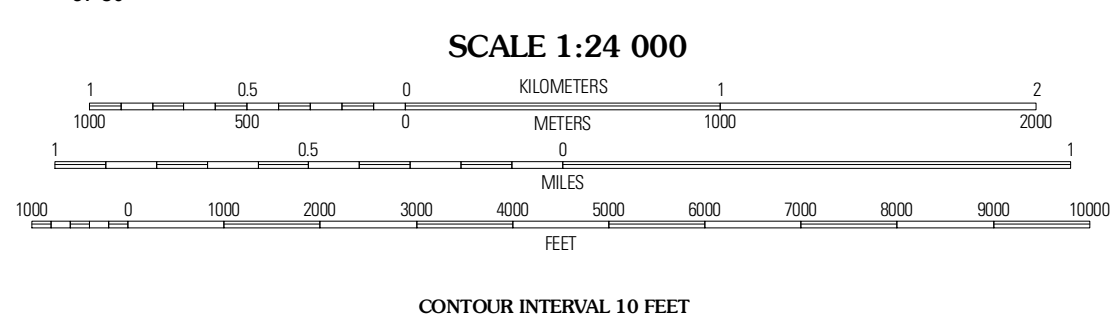


Produced by the United States Geological Survey  
North American Datum of 1983 (NAD83)  
World Geodetic System of 1984 (WGS84). Projection and  
1 000-meter grid: Universal Transverse Mercator, Zone 14S  
10 000-foot ticks: Texas Coordinate System of 1983  
(north zone)

Imagery.....NAIP, August 2008  
Roads.....US Census Bureau TIGER data  
with limited USGS updates, 2005  
Names.....GNIS, 2008  
Hydrography.....National Hydrography Dataset, 1995  
Contours.....National Elevation Dataset, 2007

UTM GRID AND 2010 MAGNETIC NORTH  
DECLINATION AT CENTER OF SHEET

U.S. National Grid  
100,000m Square ID  
KD  
Grid Zone Designation  
14S



This map was produced to conform with version 0.5.10 of the  
draft USGS Standards for 7.5-Minute Quadrangle Maps.  
A metadata file associated with this product is also draft version 0.5.10



ADJOINING 7.5' QUADRANGLES  
TX 35101-222

ROAD CLASSIFICATION

Interstate Route	State Route
US Route	Local Road
Ramp	4WD

BUFFALO STADIUM, TX  
2010