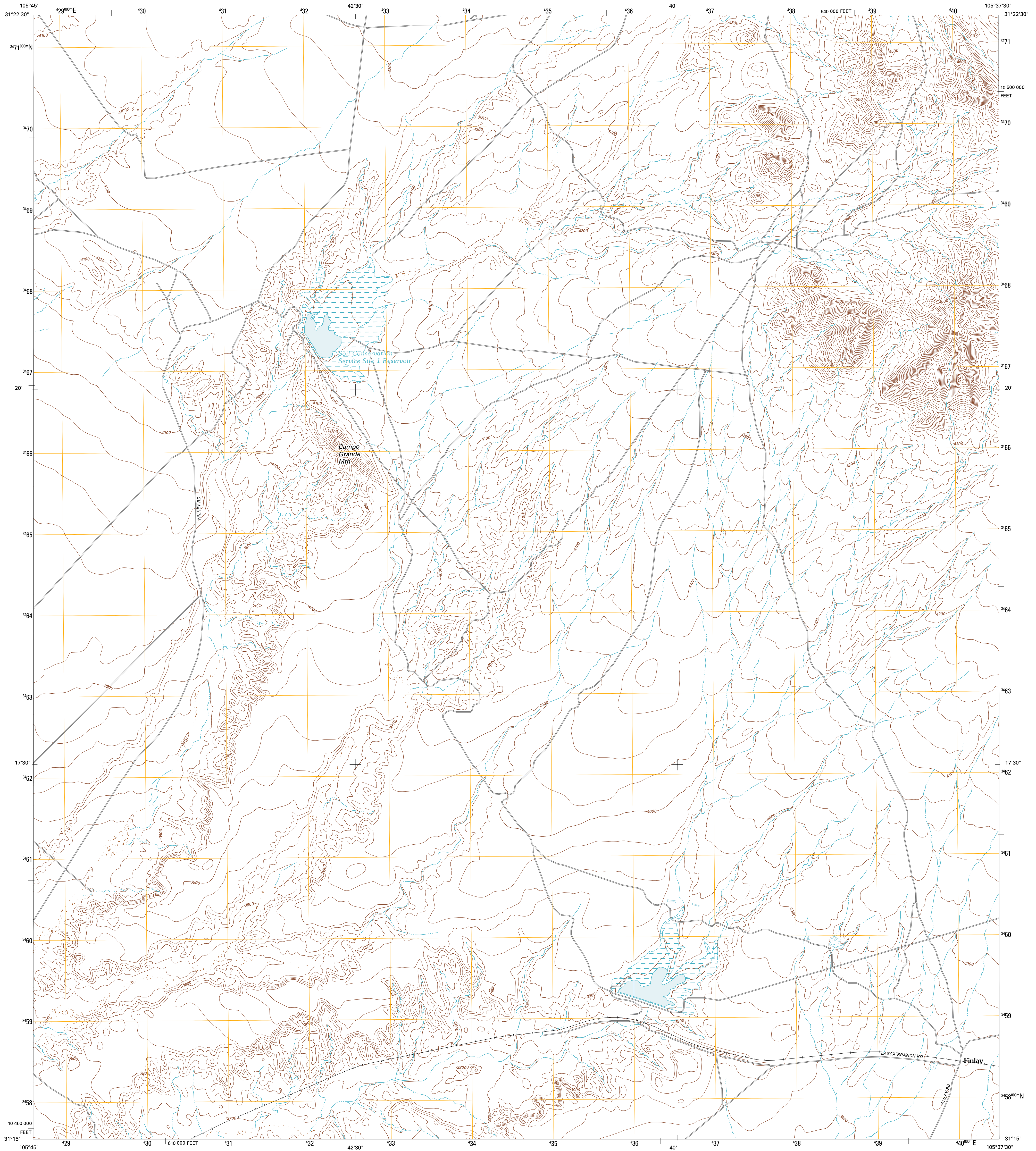




U.S. DEPARTMENT OF THE INTERIOR
U. S. GEOLOGICAL SURVEY

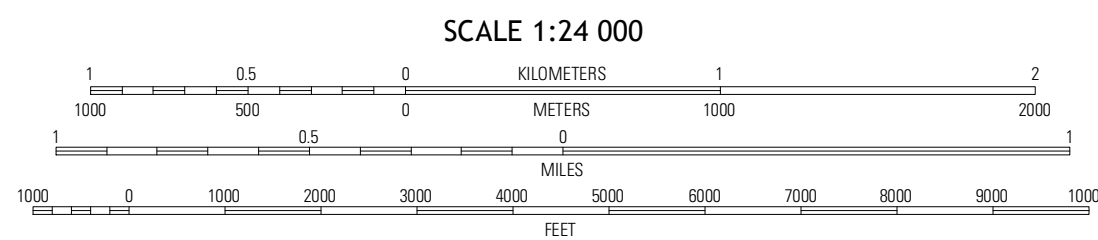
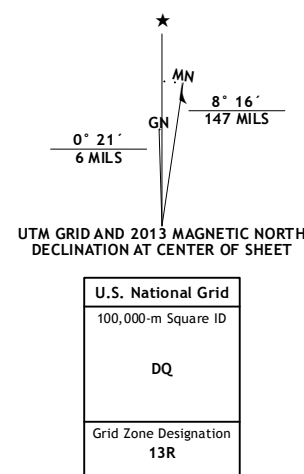


CAMPO GRANDE MOUNTAIN QUADRANGLE
TEXAS-HUDSPETH CO.
7.5-MINUTE SERIES



Produced by the United States Geological Survey
North American Datum of 1983 (NAD83)
World Geodetic System of 1984 (WGS84). Projection and
1 000-meter grid: Universal Transverse Mercator, Zone 13R
10 000-foot ticks: Texas Coordinate System of 1983 (central
zone)

Imagery.....NAIP, September 2010
Roads.....©2006-2012 TomTom
Names.....GNS, 2012
Hydrography.....National Hydrography Dataset, 2010
Contours.....National Elevation Dataset, 2005
Boundaries.....Census, IBWC, IBC, USGS, 1972 - 2012

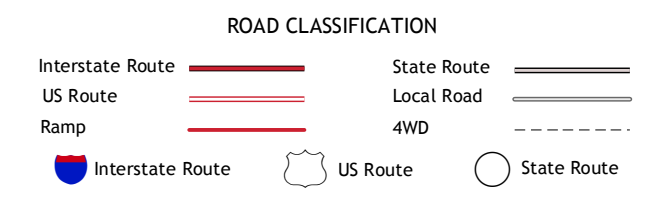


CONTOUR INTERVAL 20 FEET
NORTH AMERICAN VERTICAL DATUM OF 1988
This map was produced to conform with the
National Geospatial Program US Topo Product Standard, 2011.
A metadata file associated with this product is draft version 0.6.7



QUADRANGLE LOCATION

Cavett Lake	Diablo Canyon West	Diablo Canyon East
Fort Hancock	Campo Grande Mountain	Small
McNary	Esperanza	Silver King Canyon



CAMPO GRANDE MOUNTAIN, TX
2013