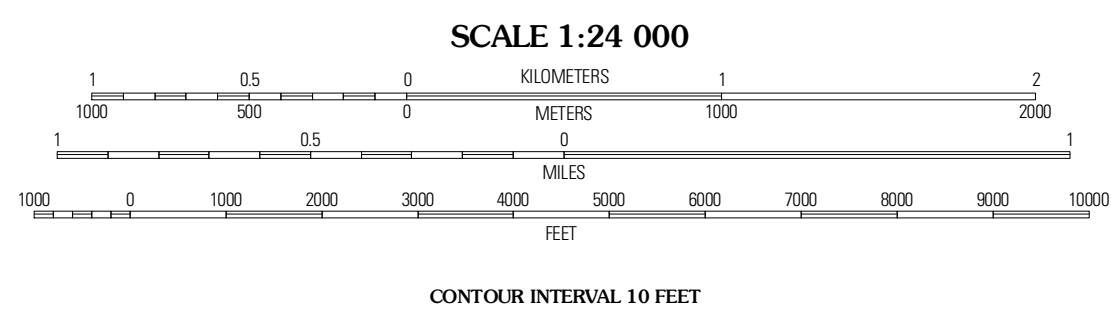
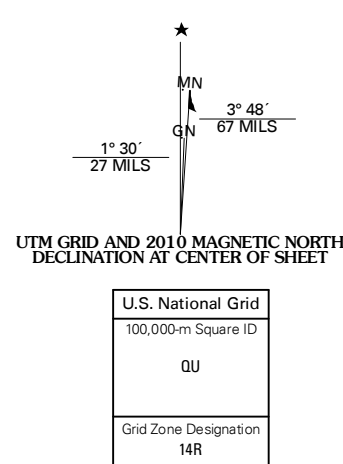




Produced by the United States Geological Survey
North American Datum of 1983 (NAD83)
World Geodetic System of 1984 (WGS84). Projection and
1 000-meter grid; Universal Transverse Mercator, Zone 14R
10 000-foot ticks; Texas Coordinate System of 1983
(central zone)

Imagery.....NAIP, January 2009
Roads.....US Census Bureau TIGER data
with limited USGS updates, 2007
Names.....GNIS, 2008
Hydrography.....National Hydrography Dataset, 1995
Contours.....National Elevation Dataset, 2003



This map was produced to conform with version 0.5.10 of the
draft USGS Standards for 7.5-Minute Quadrangle Maps.
A metadata file associated with this product is also draft version 0.5.10



QUADRANGLE LOCATION

Bellevue	Keith	Singleton
Ferguson Crossing	Carlos	Baile Prairie
Milican	Navasota	Anderson

ADJOINING 7.5' QUADRANGLES
TX 3096-411

ROAD CLASSIFICATION

Interstate Route	State Route
US Route	Local Road
Ramp	4WD

CARLOS, TX
2010