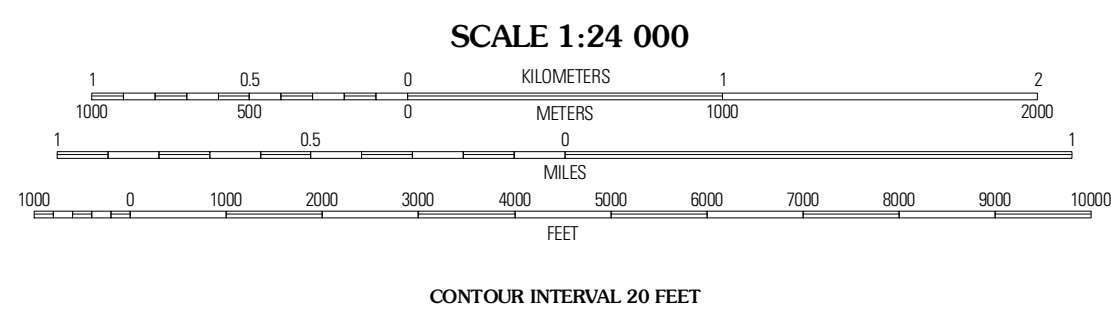
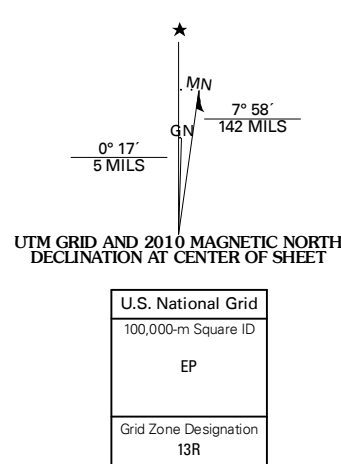




Produced by the United States Geological Survey
North American Datum of 1983 (NAD83)
World Geodetic System of 1984 (WGS84). Projection and
1 000-meter grid; Universal Transverse Mercator, Zone 13R
10 000-foot ticks; Texas Coordinate System of 1983
(south central zone)

Imagery.....NAIP, October 2008
Roads.....US Census Bureau TIGER data
with limited USGS updates, 2008
Names.....GNIS, 2008
Hydrography.....National Hydrography Dataset, 1995
Contours.....National Elevation Dataset, 2006



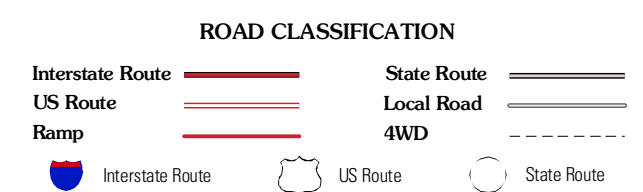
This map was produced to conform with version 0.5.10 of the
draft USGS Standards for 7.5-Minute Quadrangle Maps.
A metadata file associated with this product is also draft version 0.5.10



QUADRANGLE LOCATION

Ruidosa Fire Springs	Chinati Peak	Chinati Del Barro East
Sierra Parola	Chinati Peak	Cieneguita
Abbas	Cerro Orona	Shafter

ADJOINING 7.5' QUADRANGLES
TX 29104-433



CHINATI PEAK, TX
2010