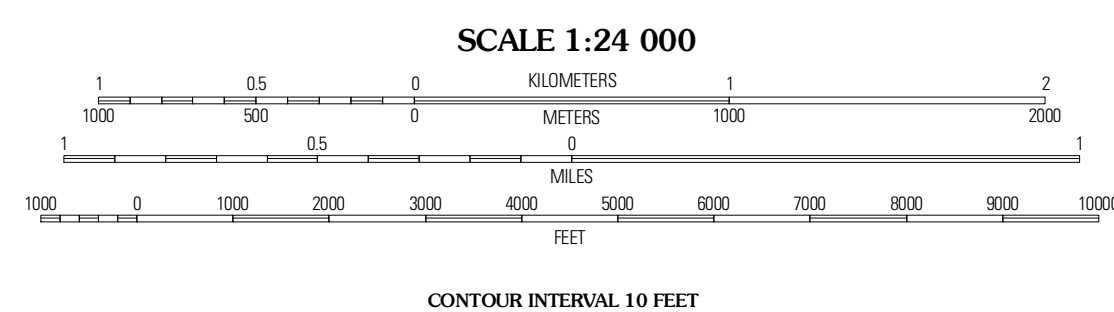
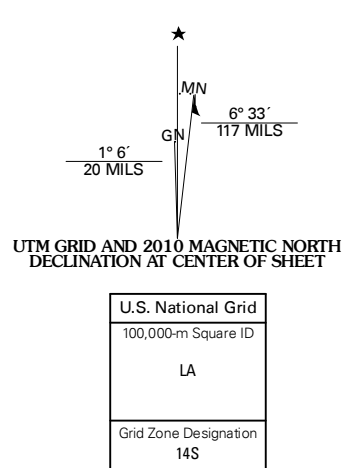




Produced by the United States Geological Survey
North American Datum of 1983 (NAD83)
World Geodetic System of 1984 (WGS84) Projection and
1 000-meter grid; Universal Transverse Mercator, Zone 14S
10 000-foot ticks; Texas Coordinate System of 1983
(north central zone)

Imagery.....NAIP, August 2008
Roads.....US Census Bureau TIGER data
with limited USGS updates, 2008
Names.....GNIS, 2008
Hydrography.....National Hydrography Dataset, 1995
Contours.....National Elevation Dataset, 2007



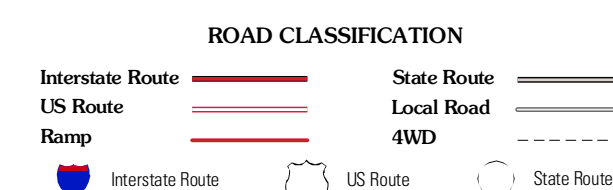
This map was produced to conform with version 0.5.10 of the
draft USGS Standards for 7.5-Minute Quadrangle Maps.
A metadata file associated with this product is also draft version 0.5.10



QUADRANGLE LOCATION

In SW	In	Dunn
Vincent	Cuthbert	Cedar Bend
Iatan	Westbrook	Lake Colorado City

ADJOINING 7.5' QUADRANGLES
TX 32101-144



CUTHBERT, TX
2010