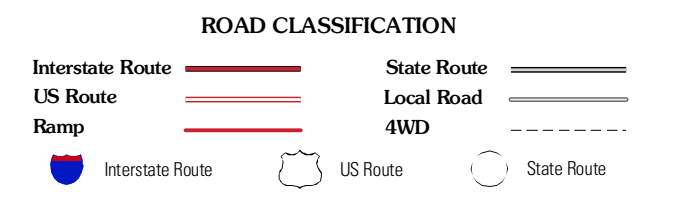
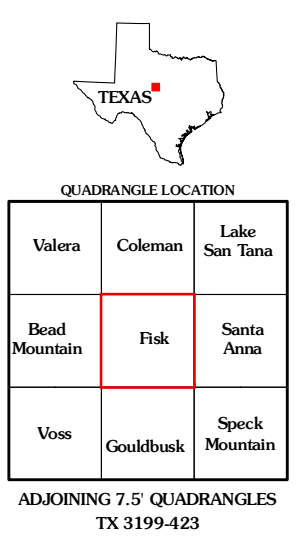
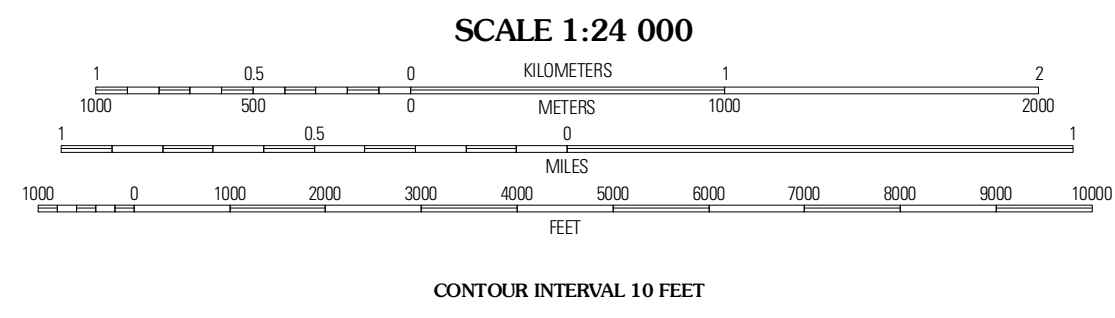
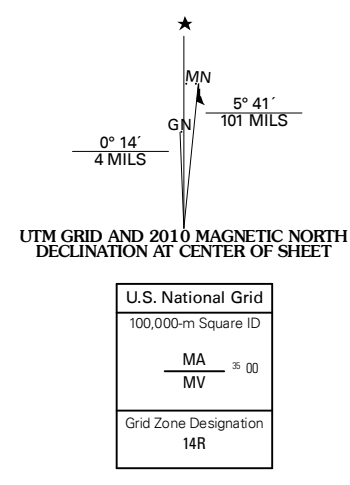




Produced by the United States Geological Survey  
North American Datum of 1983 (NAD83)  
US Census Bureau TIGER data  
with limited USGS updates, 2008  
Names.....GNIS, 2008  
Hydrography.....National Hydrography Dataset, 1995  
Contours.....National Elevation Dataset, 2005



Imagery.....NAIP, September 2008  
Roads.....US Census Bureau TIGER data  
with limited USGS updates, 2008  
Names.....GNIS, 2008  
Hydrography.....National Hydrography Dataset, 1995  
Contours.....National Elevation Dataset, 2005

This map was produced to conform with version 0.5.10 of the  
draft USGS Standards for 7.5-Minute Quadrangle Maps.  
A metadata file associated with this product is also draft version 0.5.10

FISK, TX  
2010