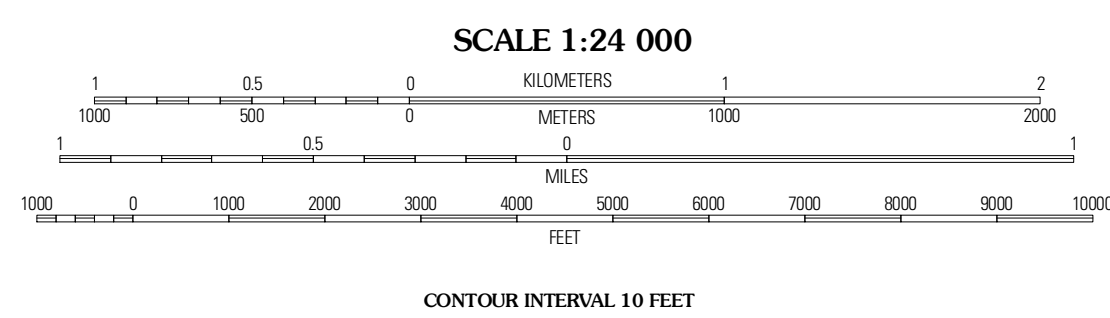
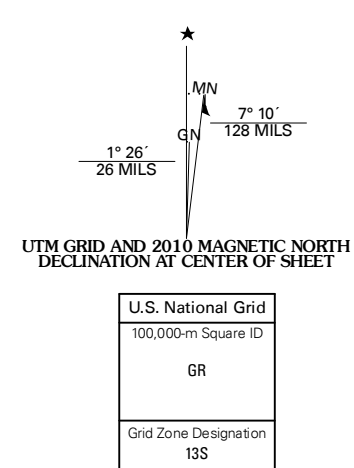




Produced by the United States Geological Survey
North American Datum of 1983 (NAD83)
World Geodetic System of 1984 (WGS84). Projection and
1 000-meter grid: Universal Transverse Mercator, Zone 13S
10 000-foot ticks: Texas Coordinate System of 1983
(north central zone)

Imagery:.....NAP, September 2008
Roads:.....US Census Bureau TIGER data
with limited USGS updates, 2008
Names:.....GNIS, 2008
Hydrography:.....National Hydrography Dataset, 1995
Contours:.....National Elevation Dataset, 2007



This map was produced to conform with version 0.5.10 of the
draft USGS Standards for 7.5-Minute Quadrangle Maps.
A metadata file associated with this product is also draft version 0.5.10



QUADRANGLE LOCATION

Five Wells Ranch NW	Five Wells Ranch	Scharbauer Ranch
Five Wells Ranch SW	Five Wells Ranch SE	Brad Ranch
Gardendale NW	Baird Lake	Mabee Ranch

ADJOINING 7.5' QUADRANGLES
TX 32102-131

