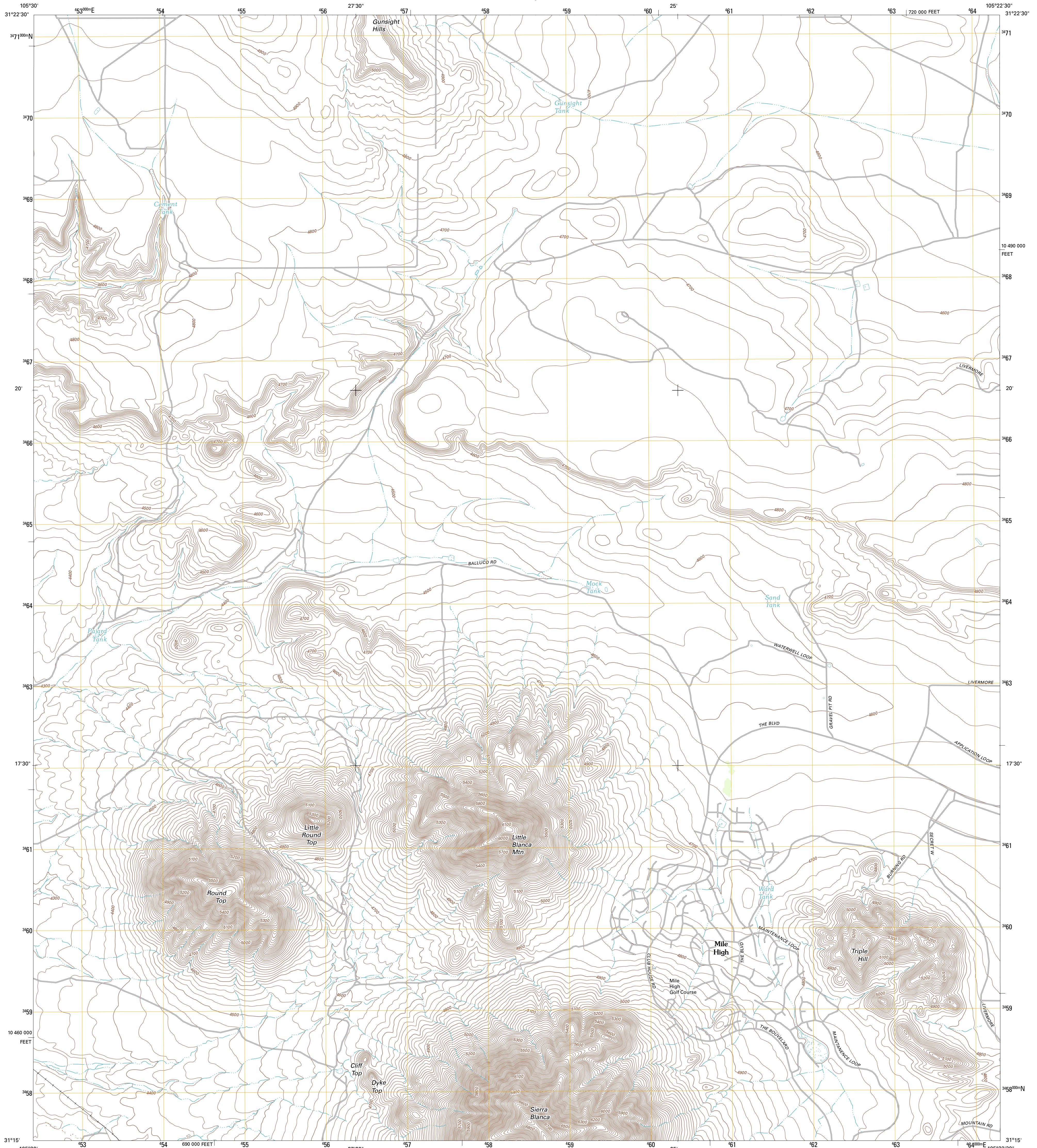




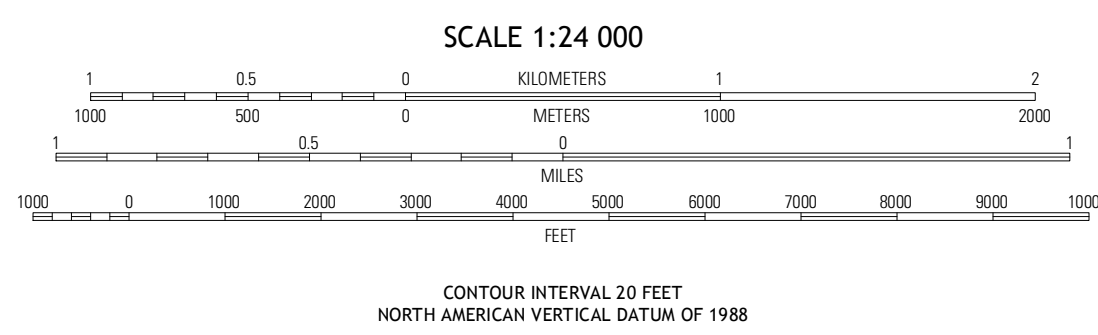
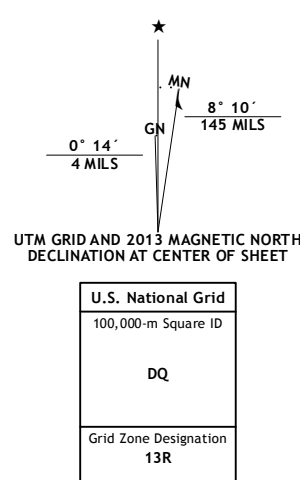
U.S. DEPARTMENT OF THE INTERIOR  
U. S. GEOLOGICAL SURVEY



GUNSIGHT HILLS SOUTH QUADRANGLE  
TEXAS-HUDSPETH CO.  
7.5-MINUTE SERIES



Produced by the United States Geological Survey  
North American Datum of 1983 (NAD83)  
World Geodetic System of 1984 (WGS84). Projection and  
1 000-meter grid: Universal Transverse Mercator, Zone 13R  
10 000-foot ticks: Texas Coordinate System of 1983 (central  
zone)



ROAD CLASSIFICATION

Interstate Route	State Route
US Route	Local Road
Ramp	4WD
Interstate Route	US Route
	State Route

QUADRANGLE LOCATION

Diablo Canyon East	Gunsight Hills North	Black Hills
Small	Gunsight Hills South	Pine Ranch
Silver King Canyon	Laeca	Sierra Blanca

ADJOINING 7.5 QUADRANGLES

Imagery.....NAIP, August 2010  
Roads.....©2006-2012 TomTom  
Names.....GNS, 2012  
Hydrography.....National Hydrography Dataset, 2010  
Contours.....National Elevation Dataset, 2005  
Boundaries.....Census, IBWC, IBC, USGS, 1972 - 2012

This map was produced to conform with the  
National Geospatial Program US Topo Product Standard, 2011.  
A metadata file associated with this product is draft version 0.6.7

GUNSIGHT HILLS SOUTH, TX  
2013