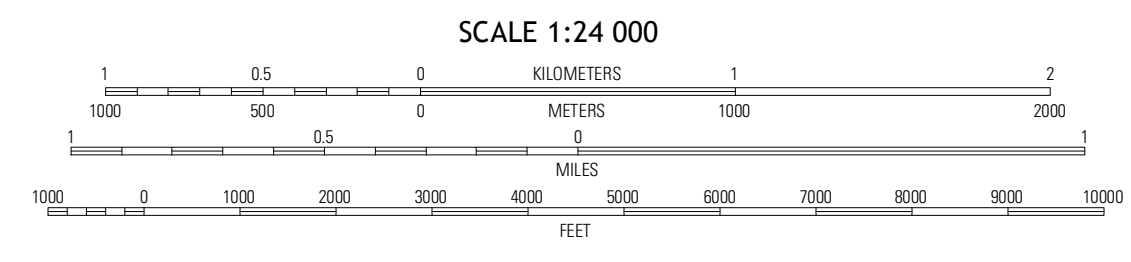
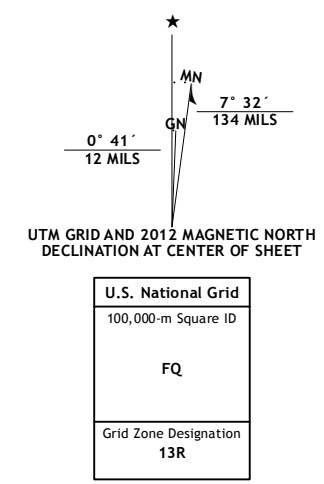
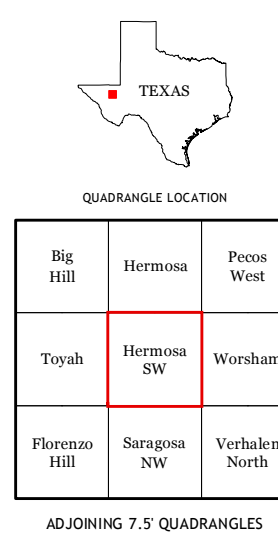


Produced by the United States Geological Survey
North American Datum of 1983 (NAD83)
World Geodetic System of 1984 (WGS84) Projection and
1 000-meter grid: Universal Transverse Mercator, Zone 13R
10 000-foot ticks: Texas Coordinate System of 1983 (central zone)

Imagery.....NAP, August 2010
Roads.....©2006-2012 TomTom
Names.....GNIS, 2012
Hydrography.....National Hydrography Dataset, 2010
Contours.....National Elevation Dataset, 2008
Boundaries.....Census, IBWC, IBC, USGS, 1972 - 2012



SCALE 1:24 000
CONTOUR INTERVAL 10 FEET
NORTH AMERICAN VERTICAL DATUM OF 1988
This map was produced to conform with the
National Geospatial Program US Topo Product Standard, 2011.
A metadata file associated with this product is draft version 0.6.7



ROAD CLASSIFICATION

Interstate Route	State Route
US Route	Local Road
Ramp	4WD
Interstate Route	US Route
	State Route

QUADRANGLE LOCATION

Big Hill	Hermosa	Pecos West
Toyah	Hermosa SW	Worsham
Florenso Hill	Saragosa NW	Verhalen North