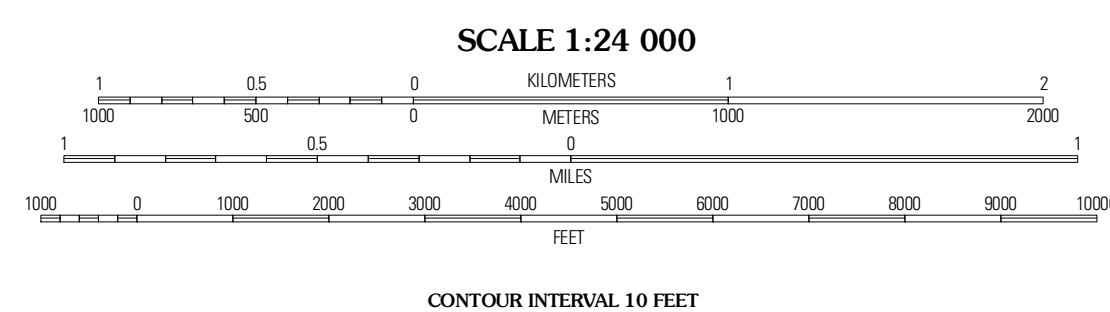
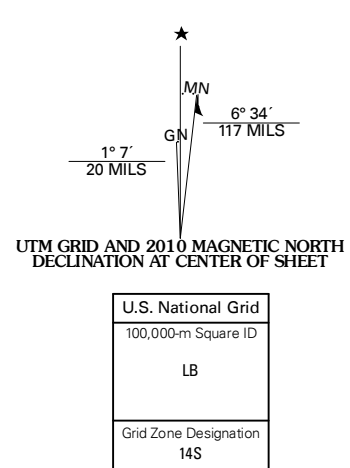




Produced by the United States Geological Survey  
North American Datum of 1983 (NAD83)  
World Geodetic System of 1984 (WGS84) Projection and  
1 000-meter grid: Universal Transverse Mercator, Zone 14S  
10 000-foot ticks: Texas Coordinate System of 1983  
(north central zone)

Imagery.....NAP, August 2008  
Roads.....US Census Bureau TIGER data  
with limited USGS updates, 2006  
Names.....GNIS, 2008  
Hydrography.....National Hydrography Dataset, 1995  
Contours.....National Elevation Dataset, 2007



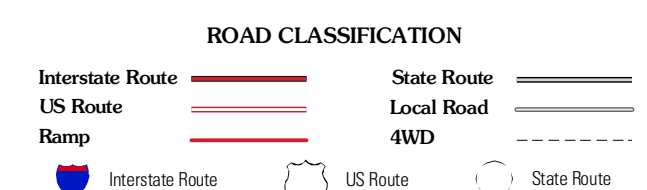
CONTOUR INTERVAL 10 FEET  
This map was produced to conform with version 0.5.10 of the  
draft USGS Standards for 7.5-Minute Quadrangle Maps.  
A metadata file associated with this product is also draft version 0.5.10



QUADRANGLE LOCATION

Ansh	Dermott	Brand
Ina NW	Ina NE	Snyder
Ina SW	Ina	Dunn

ADJOINING 7.5' QUADRANGLES  
TX 32101-414



IRA NE, TX  
2010